

Installation Instructions for the SR16/17 Series Hall-Effect Vane Sensors

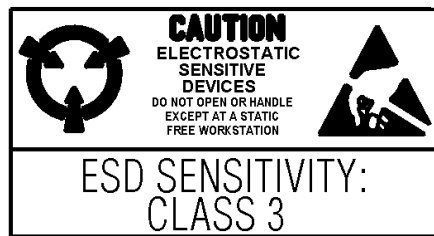
ISSUE 2
PK 80143

▲WARNING

PERSONAL INJURY

- DO NOT USE these products as safety or emergency stop devices or in any other application where failure of the product could result in personal injury.

Failure to comply with these instructions could result in death or serious injury.



ABSOLUTE MAXIMUM RATINGS*

Temperature range	-20°C to +85°C (-4°F to +185°F)
Supply voltage	3.8 VDC to 30 VDC
Voltage externally applied to output	-0.5 VDC to +30 VDC
Output current	50 mA
Magnetic flux	No limit. Circuit cannot be damaged by magnetic overdrive.

* Absolute maximum ratings are the extreme limits that the device will withstand without damage to the device. However, the electrical and mechanical characteristics are not guaranteed as the maximum limits (above recommended operating conditions) are approached, nor will the device necessarily operate at absolute maximum ratings.

SOLDERING/ASSEMBLY

Leads must be adequately supported during any forming/shearing operation to ensure that the leads are not stressed inside the plastic case. Recommended PC board wave soldering temperature is 250°C to 260°C (482 °F to 500°F) for 3 seconds maximum. Hand solder 3 to 5 seconds using 650°C soldering iron and no-clean solder.

No-clean fluxes are recommended. Test for compatibility with water-soluble fluxes and cleaning systems.

CAUTION

SOLVENT CLEANING DAMAGE

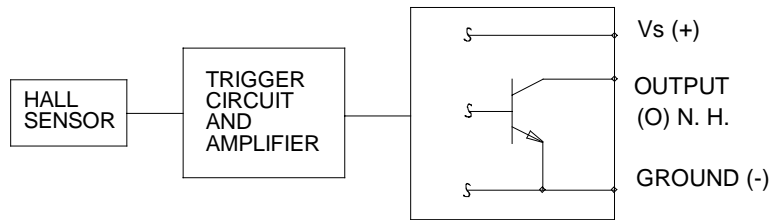
Do NOT use solvents to clean systems. Solvent cleaning can result in the chemical attack of the polycarbonate sensor components.

Failure to comply with these instructions will result in product damage.

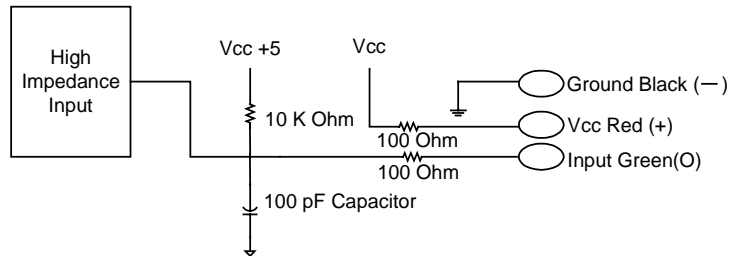
ELECTRICAL CHARACTERISTICS –20°C TO 85°C, 3.8 TO 30 VDC

	Min.	Max.	Remarks
Supply voltage		3.8 to 30	VDC
Current consumption	—	9	mA (off) 10 mA (on)
Output voltage (operated)	—	0.40 V	Sinking 20 mA max.
Sink current (operated)	—	20	mA
Output leakage current (released)	—	10 μA	V _{OUT} = 30 VDC, V _{CC} = 24 VDC
Output switching time			
Rise, 10 to 90%	—	1.5 μs	V _{CC} = 12 V, R _L = 1.6 KΩ, C _L = 20 pF
Fall, 90 to 10%	—	1.5 μs	V _{CC} = 12 V, R _L = 1.6 KΩ, C _L = 20 pF
Operating Temperature	-20°C to +85°C (-4°F to +185°F)		

BLOCK CIRCUIT WIRING DIAGRAM

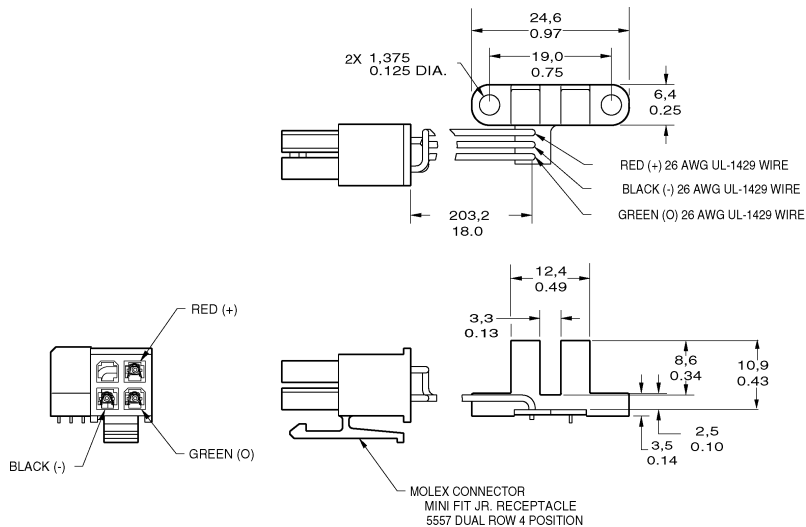


SPEED SENSING INTERFACE



MOUNTING DIMENSIONS (for reference only) mm/in

SR16/17 Series Vane Sensors

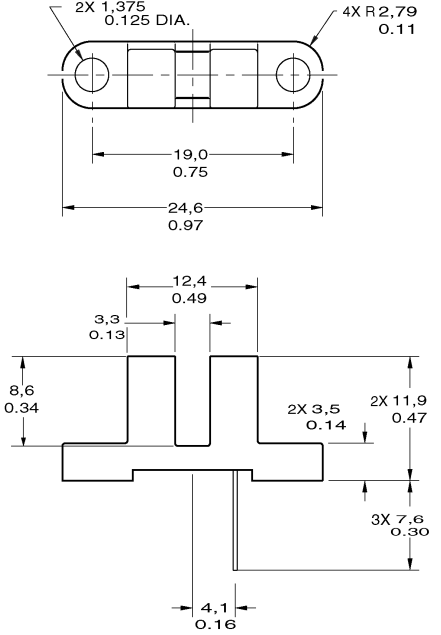
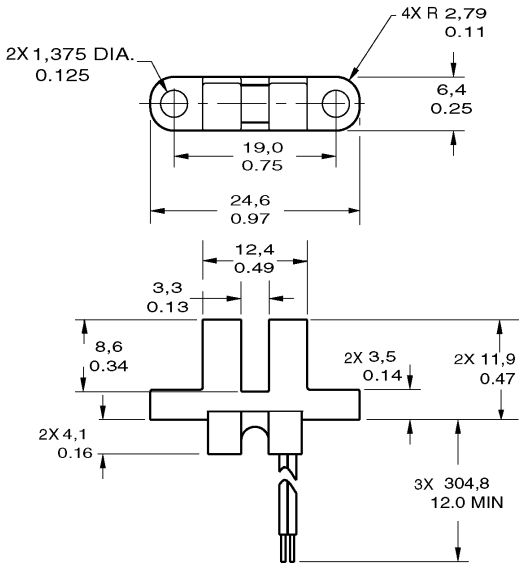


SR16C-J4

SR16/17 Series Hall Effect Vane Sensors

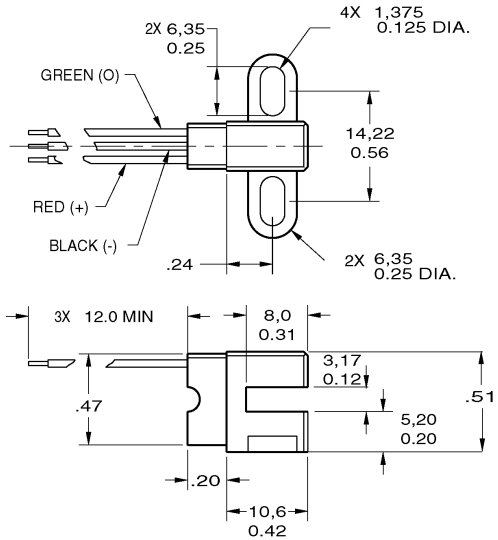
ISSUE 2 PK 80143

MOUNTING DIMENSIONS (for reference only) mm/in
SR16/17 SERIES VANE SENSORS



SR16C-J6

SR16C-N



SR17C-J6

WARRANTY/REMEDY

Honeywell warrants goods of its manufacture as being free of defective materials and faulty workmanship. Contact your local sales office for warranty information. If warranted goods are returned to Honeywell during the period of coverage, Honeywell will repair or replace without charge those items it finds defective. The foregoing is Buyer's sole remedy and is **in lieu of all other warranties, expressed or implied, including those of merchantability and fitness for a particular purpose.**

Specifications may change without notice. The information we supply is believed to be accurate and reliable as of this printing. However, we assume no responsibility for its use.

While we provide application assistance personally, through our literature and the Honeywell web site, it is up to the customer to determine the suitability of the product in the application.

For application assistance, current specifications, pricing or name of the nearest Authorized Distributor, contact a nearby sales office. Or call:

1-800-537-6945 USA

1-800-737-3360 Canada

1-815-235-6847 International

FAX

1-815-235-6545 USA

INTERNET

www.honeywell.com/sensing
info.sc@honeywell.com

Honeywell

Sensing and Control

Honeywell Inc.

11 West Spring Street

Freeport, Illinois 61032



Printed with Soy Ink
on 50% Recycled Paper

PK 80143-2-EN IL50 GLO 0303 Printed in USA

www.honeywell.com/sensing