

## Installation Instructions for the RDS-CL-08 Railwheel Sensor Bracket

ISSUE 3

PK 80101

### **⚠ WARNING**

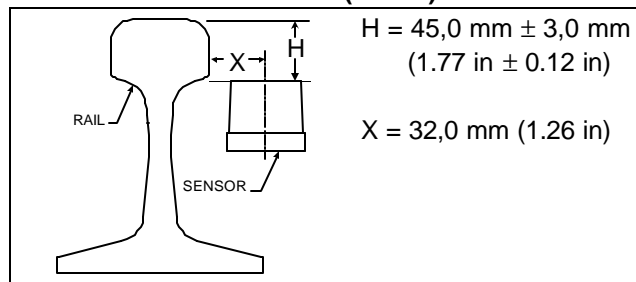
#### **PERSONAL INJURY**

- **DO NOT USE** this product in applications where product failure could result in personal injury or death.
- Improper installation of this device can cause personal injury. **STRICTLY FOLLOW** the instructions below.

### **MECHANICAL SPECIFICATIONS**

Operating Temperature	-40 °C to +85 °C (-40 °F to +185 °F)
Shock	500 g, halfsine 1.6 msec (IEC68-2-27)
Vibration	Sinusoidal 10-2000 Hz, 20 G, (IEC68-2-6) 30 minutes each axis for temperatures -40 °C, +25 °C, +85 °C
Mounting Torque	Bracket mounting bolts: 33,9 N m (35 ft lb) Sensor clamp mounting bolts: 9,5 N m (7 ft lb)

**FIGURE 1: RAIL PROFILE (mm/in)**



### **MOUNTING INSTRUCTIONS (see Figures 1-3)**

1. Select sensor mounting location.
2. Grind all overflow from top and sides of rail.
3. Drill two holes exactly 84,1 (3.31 in) from top of rail and 351,8 mm (13.85 in) apart. Distance H must be 42 mm to 48 mm (1.65 in to 1.89 in).
4. Mount bracket using two 3/8 in bracket mounting bolts, two 3/8 in lockwashers, and two 3/8 in hex nuts. Torque to 33,9 N m (35 ft lb).
5. To install one sensor (Single Mount): Position sensor between the two holes marked **1** on top of the bracket so that distance X is 32,0 mm (1.26 in). Place two 5/16 in sensor clamp mounting bolts, threaded end up, through the two holes marked **1**. Place two sensor clamp mounting brackets, two 5/16 in lockwashers, and two 5/16 in castlenuts on the bolts and torque to 9,5 N m (7 ft lb). Install two 3/64 in cotter pins in holes provided and secure.
6. To install two sensors (Dual Mount): Position the sensors above the two outside holes marked **2** on top of the bracket so that distance X is 32,0 mm (1.26 in). Place three 5/16 in sensor clamp mounting bolts, threaded ends up, through the three holes marked **2**. Place three sensor clamp mounting brackets, three 5/16 in lockwashers, and three 5/16 in castlenuts on the bolts and torque to 9,5 N m (7 ft lb). Install three 3/64 in cotter pins in holes and secure.
7. As rail wears, use mounting slots on bracket to readjust sensor assembly.

**FIGURE 2: MOUNTING DIMENSIONS (for reference only) (mm/in)**

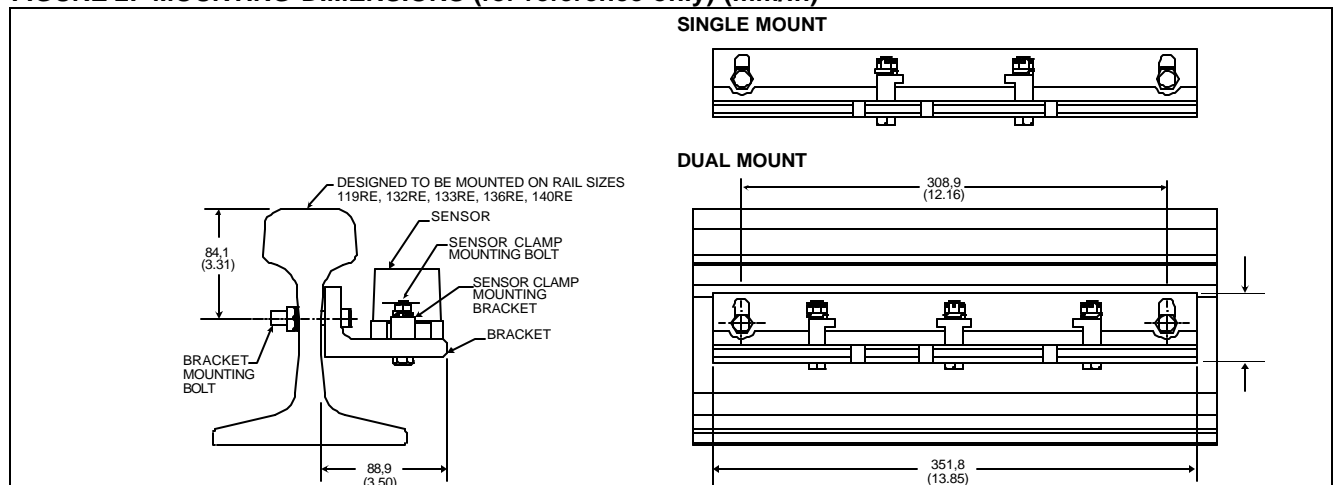
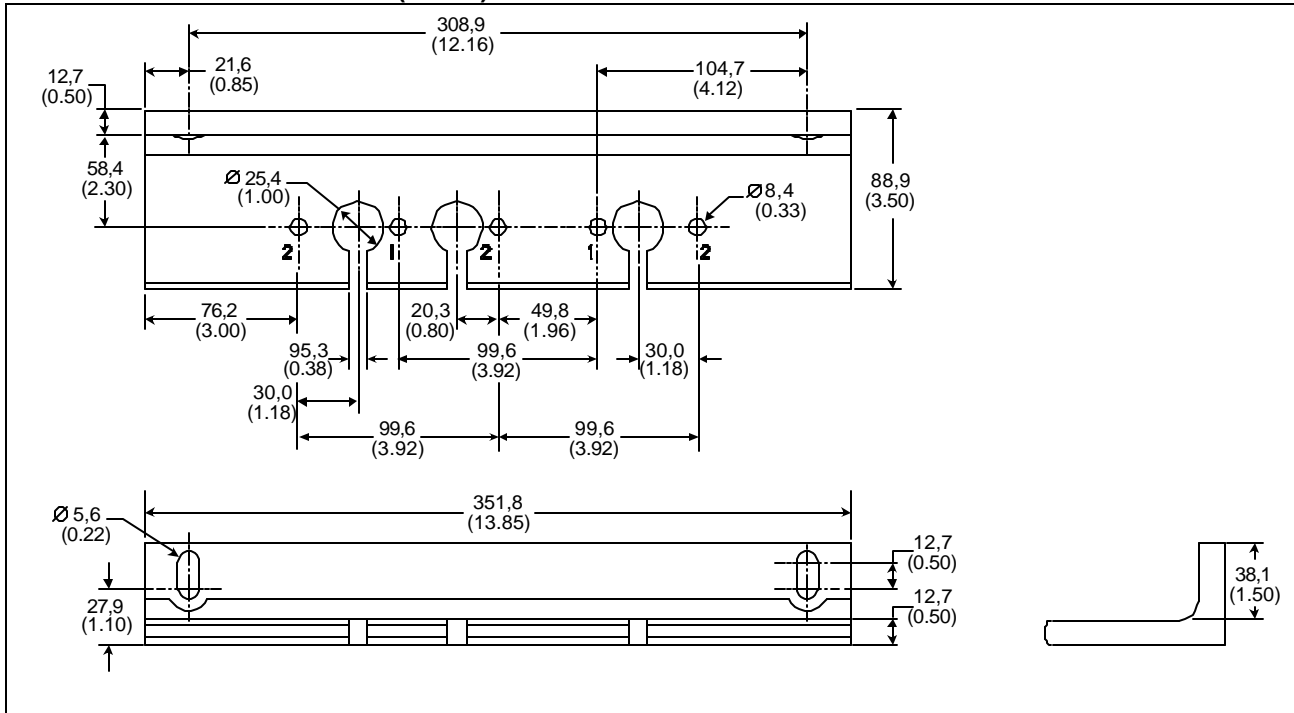


FIGURE 3: HOLE PLACEMENT (mm/in)



**WARRANTY/REMEDY**

Honeywell warrants goods of its manufacture as being free of defective materials and faulty workmanship. Contact your local sales office for warranty information. If warranted goods are returned to Honeywell during the period of coverage, Honeywell will repair or replace without charge those items it finds defective. The foregoing is Buyer's sole remedy and is **in lieu of all other warranties, expressed or implied, including those of merchantability and fitness for a particular purpose.**

Specifications may change without notice. The information we supply is believed to be accurate and reliable as of this printing. However, we assume no responsibility for its use.

While we provide application assistance personally, through our literature and the Honeywell web site, it is up to the customer to determine the suitability of the product in the application.

For application assistance, current specifications, or name of the nearest Authorized Distributor, contact a nearby sales office. Or call:

- 1-800-537-6945 USA
- 1-800-737-3360 Canada
- 1-815-235-6847 International

**FAX**

1-815-235-6545 USA

**INTERNET**

www.honeywell.com/sensing  
info.sc@honeywell.com



**Sensing and Control**

Honeywell Inc.  
11 West Spring Street  
Freeport, Illinois 61032

www.honeywell.com/sensing