

Interactive Catalog Replaces Catalog Pages

Honeywell Sensing and Control has replaced the PDF product catalog with the new **Interactive Catalog**. The **Interactive Catalog** is a power search tool that makes it easier to find product information. It includes more installation, application, and technical information than ever before.



**Click this icon to try the new
Interactive Catalog.**

Sensing and Control

Honeywell Inc.

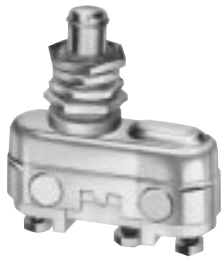
11 West Spring Street

Freeport, Illinois 61032

Basic Switches

High Temperature

HT Series



FEATURES

- Temperature tolerance up to +1000°F (538°C)
- Designed to meet military applications
- Side and panel mount
- UL recognized file # E12252

GENERAL INFORMATION

HT switches will withstand temperatures up to +1000°F. The switching element is mounted on a ceramic base within a stainless steel enclosure. HT switches are not classified as sealed switches.

ELECTRICAL CHARACTERISTICS

Circuitry	Electrical Data
Single-Pole Double-Throw	UL Ratings: 3 amps, 1/10 HP, 125 vac. 3 amps, 1/6 HP, 250 vac.

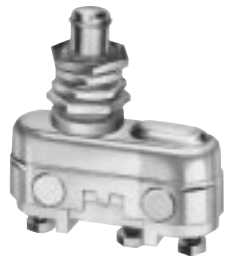
Characteristics: O.F. — Operating Force; R.F. — Release Force; P.T. — Pretravel; O.T. — Overtravel; O.P. — Operating Position.

ORDER GUIDE

Catalog Listing	Description	Electrical Rating	O.F. newtons ounces	R.F. min. newtons ounces	P.T. max. mm inches	O.T. min. mm inches	O.P. mm inches
1HT1	Straight plunger panel mount	3 Amps	2,78-5,56 10-20	1,67 6	1,65 .065	4,78 .188	23,7 .935 approx.

3HT1	Roller plunger panel mount	3 Amps	8,34 30 max.	1,67 6	1,65 .065	4,78 .188	35,9 1,413 approx.
------	----------------------------	--------	-----------------	-----------	--------------	--------------	--------------------------

2HT1	Pin plunger side mount	3 Amps	2,78-5,56 10-20	1,67 6	1,27 .050	0,25 .010	16,8 .66 approx.
------	------------------------	--------	--------------------	-----------	--------------	--------------	------------------------



Dim. Dwg. Fig. 1



Dim. Dwg. Fig. 2



Dim. Dwg. Fig. 3

Sealed/High Temperature

Basic Switches

High Temperature

HT Series

MOUNTING DIMENSIONS (For reference only)

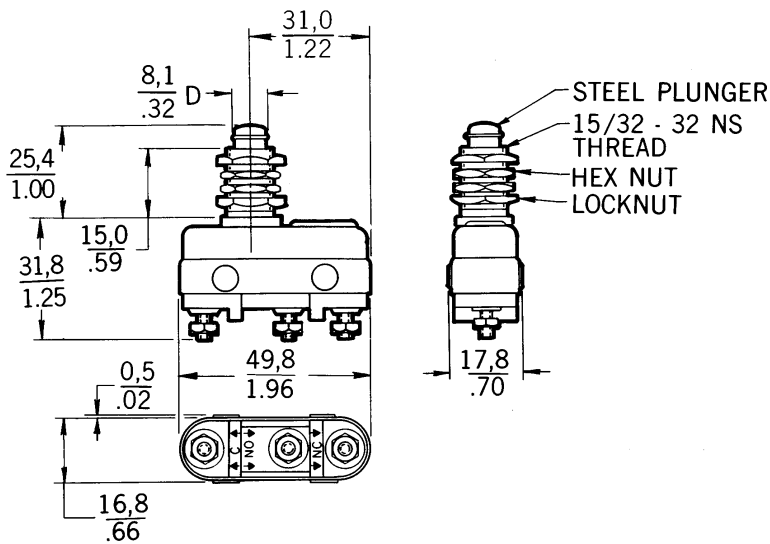


Fig. 1

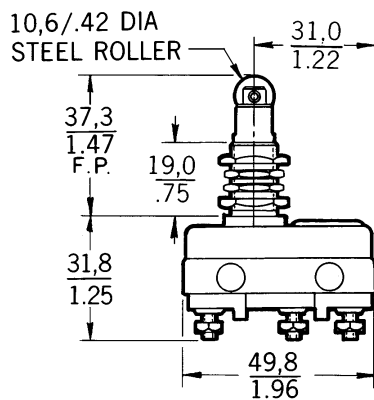
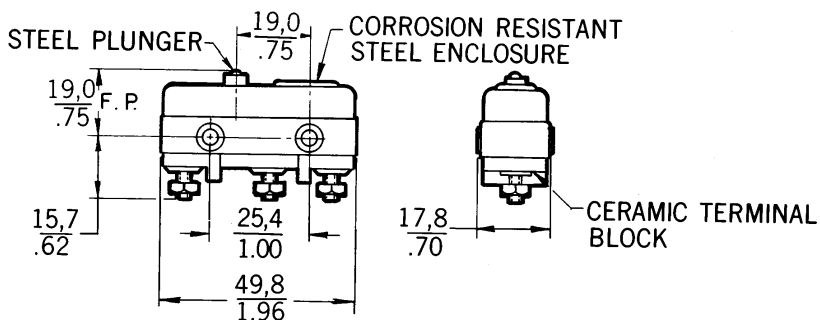


Fig. 2



MOUNTING HOLE WILL ACCEPT PINS OR SCREWS OF 3,6/.14 DIA.

Fig. 3

Mounting holes will accept pins or screws of .139" (3,53 mm) dia.

Key: $\frac{0,0}{0.00} = \frac{\text{mm}}{\text{inches}}$