

## Installation Instructions for the 100FW All-Metals Sensitive Proximity Sensors

#### **⚠ WARNING** **IMPROPER INSTALLATION**

Consult with safety agencies and their requirements when designing a machine control, interface, and all elements that affect safety. Strictly adhere to all installation instructions.

**Failure to comply with these instructions could result in death or serious injury.**

#### **⚠ WARNING** **INCORRECT WIRING**

Incorrect wiring will damage units. Strictly adhere to all installation instructions.

**Failure to comply with these instructions could result in death or serious injury.**

#### PERFORMANCE SPECIFICATIONS

Input Voltage	Input Current	Output Type	Output Current	Wiring	Catalog Listing
18 Vdc to 30 Vdc	25 mA max.	Current sinking	100 mA Ind. Res.	Connector (see notes 1 to 3) Pin A • 18 Vdc to 30 Vdc Pin B • Ground neg Pin C • Output Pin D • Connector shell	103FW4-R
					103FW41-R
					103FW4-R1
					103FW41-R1
					113FW4-R2
					113FW41-R2
18 Vdc to 32 Vdc	20 mA max.	Current sinking	120 mA Ind. Res. 50 mA lamp load	Lead wires MIL-W-22759/7 (four feet long)	112FW12-4
					122FW12-4
				Cable MIL-W-16878/4 Red • Input (+) Black • Ground (-) White • Output	122FW12-4S
					Connector (see note 4) Pin B • 18 Vdc to 32 Vdc Pin D • Ground (-)
		Current sourcing		112FW127-R1	
				122FW12-R1	
				Lead wires MIL-W-22759/7 (four feet long)	114FW12-4
					124FW12-4
Connector (see note 4) Pin B • Input (+) Pin D • Ground (-) Pin F • Output	114FW12-R1				

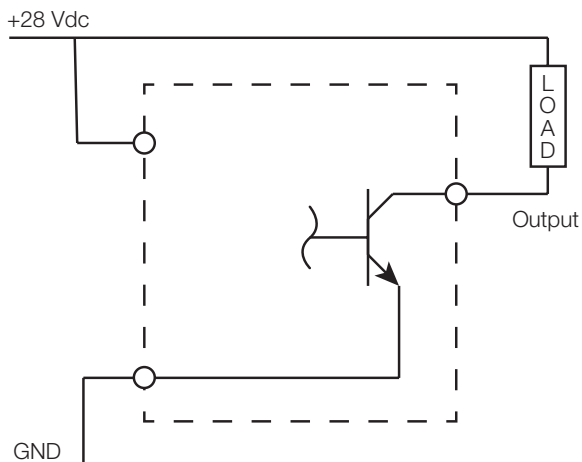
<sup>1</sup> R mates with MS3116-8-4S

<sup>2</sup> R1 mates with MS3116-10-6SW

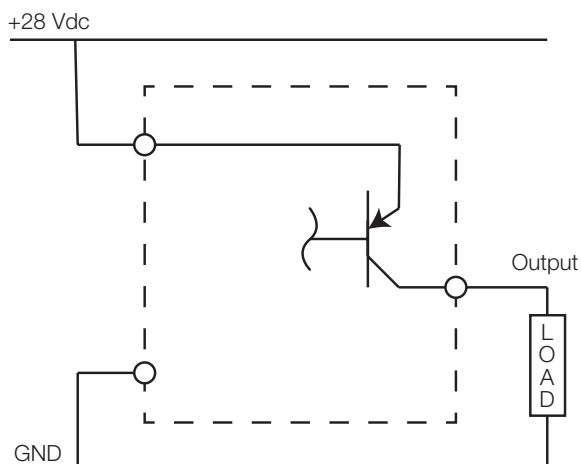
<sup>3</sup> R2 mates with MS3116-12-8S

<sup>4</sup> Mates with MS3116-10-6S

**Figure 1. Current Sinking Wiring Diagram**



**Figure 2. Current Sourcing Wiring Diagram**



## WARRANTY/REMEDY

Honeywell warrants goods of its manufacture as being free of defective materials and faulty workmanship. Honeywell's standard product warranty applies unless agreed to otherwise by Honeywell in writing; please refer to your order acknowledgement or consult your local sales office for specific warranty details. If warranted goods are returned to Honeywell during the period of coverage, Honeywell will repair or replace, at its option, without charge those items it finds defective. **The foregoing is buyer's sole remedy and is in lieu of all other warranties, expressed or implied, including those of merchantability and fitness for a particular purpose. In no event shall Honeywell be liable for consequential, special, or indirect damages.**

While we provide application assistance personally, through our literature and the Honeywell web site, it is up to the customer to determine the suitability of the product in the application.

Specifications may change without notice. The information we supply is believed to be accurate and reliable as of this printing. However, we assume no responsibility for its use.

Honeywell serves its customers through a worldwide network of sales offices, representatives and distributors. For application assistance, current specifications, pricing or name of the nearest Authorized Distributor, contact your local sales office or:

E-mail: [info.sc@honeywell.com](mailto:info.sc@honeywell.com)

Internet: [www.honeywell.com/sensing](http://www.honeywell.com/sensing)

Phone and Fax:

USA/Canada +1-800-537-6945

International +1-815-235-6847; +1-815-235-6545 Fax