

Model JG

Differential Pressure Gauge



DESCRIPTION

The hand-held Model JG wet/wet differential pressure gauge delivers long-lasting, enhanced accuracy performance. Accuracy of 0.2 % coupled with an enhanced resolution, 4½-digit display makes this unit an excellent transfer standard for calibrating pressure measuring equipment.

The JG is rugged and features high/low pressure capture with an update rate of three times per second. These units are manufactured from stainless steel and use sensor technology which has no moving parts, requires little recalibration, and has excellent overpressure tolerance.

Each unit has a membrane face with raised buttons and tactile feedback for setup and operation. The high, low, and clear buttons are easily accessible on this front membrane. Zero adjustment and zero offset/tare functions are standard on each unit. Calibration and setup parameters are stored on a memory chip to protect from loss even when power is interrupted. Unauthorized set ups and calibrations are also blocked with internal security. Various combinations of the front panel buttons can be de-activated.

FEATURES

- High accuracy: 0.2 % full scale
- -1 °C to 71 °C [30 °F to 160 °F] operating temperature
- Enhanced resolution
- Stainless steel construction
- On/off switch
- CE compliant (certain models, consult factory)
- 4½ digit display with 0.5 in height
- Optional carrying case and panel mounting ring
- Optional NEMA 4 rating
- 9 V battery power
- High/low capture and store
- Four digit display

Model JG

PERFORMANCE SPECIFICATIONS

Characteristic	Measure
Accuracy	0.2 % full scale
Maximum line pressure	500 psid
High and low capture	Standard
Update speed	3 times per sec

ENVIRONMENTAL SPECIFICATIONS

Characteristic	Measure
Temperature, operating	-1 °C to 71 °C [30 °F to 160 °F]

ELECTRICAL SPECIFICATIONS

Characteristic	Measure
Rating	NEMA 2
Power, Model JGW	One or two 9 V alkaline batteries (included)
Power, Model JGT	110 Vac adapter @ 60 Hz (included)
Power, Model JGV	11 Vdc to 32 Vdc @ 100 mA (3 ft cable included)

MECHANICAL SPECIFICATIONS

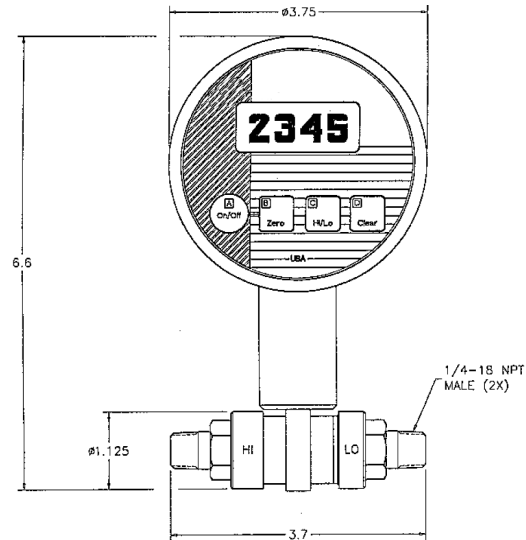
Characteristic	Measure
Diameter	93,98 mm [3.7 in]
Display	4 LCD digits - 12,7 mm [0.5 in] high
Pressure port	1/4-18 NPT male
Wetted parts	Stainless steel
Case material	Stainless steel
Low battery indication	Standard
Face membrane	Tactile feedback raised buttons
Calibration data	Stored on memory chip

ACCESSORIES ORDER CODES

Stainless steel	Zinc-plated steel	Accessory
SS6	AD6	Pressure adapter (Zinc plated steel) to 1/4-18 NPT female*
SS7	AD7	Pressure adapter (Zinc plated steel) to 1/4-18 NPT male*
SS9	AD9	Pressure adapter (Zinc plated steel) to 7/16-20 UNF male with 37° flare*
CC2		Carrying case
MR2		Panel mounting ring
NISTCERTS		NIST certification (in addition to NIST statement)

* Call factory for other fittings

MOUNTING DIMENSIONS AND CHARACTERISTICS



Request certified drawing before designing mountings or fixtures. Specifications subject to change without notice.

ORDER GUIDE

	JG	W	5	D	Z
* = Example					
SERIES	JG				
POWER		W			
W = Battery powered (9 V alkaline)*					
T = 110 Vac adapter (included)					
V = 11 Vdc to 32 Vdc (3 ft. cable)					
B = 4 mA to 20 mA (two-wire)					
E = 0 Vdc to 5 Vdc					
R = Two programmable limits & relays					
X = 0 Vdc to 5 Vdc with limits & relays					
PRESSURE RANGE (PSI)					
1 = 0-1(opt) 50 = 0-50 500 = 0-500					
5 = 0-5(opt) 100 = 0-100 750 = 0-750					
15 = 0-15 200 = 0-200* 1K = 0-1000					
30 = 0-30 300 = 0-300					
REFERENCE					
D = Differential					
ELECTRICAL CONNECTION					
Z = No electrical connection (Model JGW - 9 V battery)*					
C = 3 foot cable (Model JGV)					
T = ac adapter (Model JGT)					
Call factory for availability of other electrical connections and cable lengths.					
OPTIONAL					
4 = NEMA 4					
NEMA 4 option also provides temperature range of 0-180°F					

OPTIONAL UNITS OF MEASURE

Each gauge has the following scaling built in for field selection:

Bar = Bar	Ft H2O = Feet of water
mBar = Millibar	In H2O = Inches of water
kPa = Kilopascals	In Hg = Inches of mercury
MPa = Megapascals	mmHg = mm of mercury

Consult factory for other units of measure not listed

Model JG

Differential Pressure Gauge

NOTES

1. The limit/relay models include two LED status indicators on front face and two form C relays (normally open, common, normally closed) that are rated at a maximum 24 Vdc/Vac at 1 A or 48 Vdc/Vac at 1/2 A.

ADDITIONAL SPECIFICATIONS

Pressure range (psi)	Maximum safe over pressure (psi) ¹	Model JG
0 psi to 1 psi = 1 (opt)	10	0.001
0 psi to 5 psi = 5 (opt)	25	0.005
0 psi to 15 psi = 15	75	0.01
0 psi to 30 psi = 30	150	0.02
0 psi to 50 psi = 50	250	0.05
0 psi to 100 psi = 100	500	0.1
0 psi to 200 psi = 200	1000	0.1
0 psi to 300 psi = 300	1200	0.2
0 psi to 500 psi = 500	1500	0.5
0 psi to 750 psi = 750	1500	0.5
0 psi to 1000 psi = 1K	2000	1

¹ Maximum safe overpressure is the pressure which the unit can experience occasionally without the loss of accuracy or permanent damage

Find out more

Honeywell serves its customers through a worldwide network of sales offices, representatives and distributors. For application assistance, current specifications, pricing or name of the nearest Authorized Distributor, contact your local sales office. To learn more about Honeywell's test and measurement products, call **+1-614-850-5000**, visit <http://measurementsensors.honeywell.com>, or e-mail inquiries to info.tm@honeywell.com

Sensing and Control
Honeywell
1985 Douglas Drive North
Golden Valley, MN 55422 USA
www.honeywell.com/sensing

Warranty. Honeywell warrants goods of its manufacture as being free of defective materials and faulty workmanship. Honeywell's standard product warranty applies unless agreed to otherwise by Honeywell in writing; please refer to your order acknowledgement or consult your local sales office for specific warranty details. If warranted goods are returned to Honeywell during the period of coverage, Honeywell will repair or replace, at its option, without charge those items it finds defective. **The foregoing is buyer's sole remedy and is in lieu of all warranties, expressed or implied, including those of merchantability and fitness for a particular purpose. In no event shall Honeywell be liable for consequential, special, or indirect damages.**

While we provide application assistance personally, through our literature and the Honeywell web site, it is up to the customer to determine the suitability of the product in the application.

Specifications may change without notice. The information we supply is believed to be accurate and reliable as of this printing. However, we assume no responsibility for its use.

WARNING **PERSONAL INJURY**

- DO NOT USE these products as safety or emergency stop devices or in any other application where failure of the product could result in personal injury.

Failure to comply with these instructions could result in death or serious injury.

WARNING **MISUSE OF DOCUMENTATION**

- The information presented in this datasheet is for reference only. DO NOT USE this document as product installation information.
- Complete installation, operation and maintenance information is provided in the instructions supplied with each product.

Failure to comply with these instructions could result in death or serious injury.

Honeywell