

## IP Series

## Industrial Pressure Sensor Platform



### DESCRIPTION

Honeywell's Industrial Pressure (IP) series is a new platform of general purpose pressure sensors designed to offer repeatable, reliable, and accurate pressure measurements over time. These rugged, stainless steel, all-welded pressure sensors are pre-configured with tailored features and options for a wide range of demanding applications. All models are designed to work with a variety of media and built to provide consistent performance in harsh environments.

Configurations for voltage and current measurements are fully temperature compensated and calibrated for pressure ranges from 0.5 bar to 700 bar and 5 psi to 10K psi.

Customers can choose from two different accuracies to meet their specific application requirements:

**IPG1** offers  $\pm 0.15\%$  BFSL (Best Fit Straight Line) accuracy

**IPG2** offers  $\pm 0.25\%$  BFSL (Best Fit Straight Line) accuracy

### FEATURES

- Rugged design - all welded, 300 series stainless steel and Hastelloy®
- Accuracy options:  $\pm 0.15\%$ ,  $\pm 0.25\%$  BFSL
- Voltage outputs
- Current output
- Total error band that includes non-linearity, repeatability and hysteresis as well as temperature error.
- Pre-configured pressure sensor package with most commonly requested options
- IP65 rated for protection for harsh environments
- <2 ms response time provides accurate, high-speed measurement
- CE and RoHS compliant\*

### APPLICATIONS

- General industrial process control
- Factory automation/Industrial equipment
- Medical equipment systems
- Pump/Compressor control
- Power generation
  - Wind
  - Propulsion
- Transportation
  - Construction equipment
  - Rail equipment testing

\* RoHS compliant for 100 psi to 5000 psi [7 bar to 350 bar]

# IP Series

**TABLE 1. PRESSURE RANGE SPECIFICATIONS (AT 25 °C [77 °F])**

psi (gauge)									
Pressure	5	10	15	25	30	50	75	100	150
Proof pressure	20	40	60	100	120	200	300	400	450
Burst pressure	1000	1000	1000	1000	1000	1000	1000	1000	1500

psi (gauge)										
Pressure	200	250	500	750	1000	1500	3000	5000	7500	10000
Proof pressure	600	750	1500	2250	2000	3000	6000	7500	15000	15000
Burst pressure	2000	2500	5000	7500	10000	15000	30000	30000	15000	15000

bar (gauge)									
Pressure	0.5	1	2	3.5	4	7	10	16	25
Proof pressure	2	4	8	14	16	28	30	48	75
Burst pressure	100	100	100	100	100	100	100	160	250

bar (gauge)							
Pressure	40	60	100	160	250	350	700
Proof pressure	80	120	200	320	500	700	1000
Burst pressure	400	600	1000	1600	2068	2068	1000

**TABLE 2. PHYSICAL AND ENVIRONMENTAL SPECIFICATIONS**

Parameter	Characteristic
<b>Material in contact with media</b>	Port: 300 Series stainless steel, Hastelloy®
<b>Housing material</b>	300 Series stainless steel
<b>Weight</b>	
<b>100 psi to 5000 psi</b>	158 g [5.6 oz] (1/4 BSP port with DIN 43650)
<b>5 psi to 75 psi and 7500 psi to 10000 psi (0.5 bar to 3.5 bar, 700 bar)</b>	186 g [6 oz] (1/4 BSP port with DIN 43650)
<b>Shock</b>	100 g peak [11 ms]
<b>Vibration</b>	MIL-STD-810C, Figure 514.2-5, Curve AK, Table 514.2-V, Random Vibration Test [overall g rms = 20.7 min.]
<b>Compensated temperature range</b>	
<b>100 psi to 5000 psi</b>	-10 °C to 85 °C [14 °F to 185 °F]
<b>5 psi to 75 psi and 7500 psi to 10000 psi (0.5 bar to 3.5 bar, 700 bar)</b>	4 °C to 60 °C [40 °F to 140 °F]
<b>Operating &amp; storage temperature range</b>	-40 °C to 125 °C [-40 °F to 257 °F]
<b>Approvals</b>	CE, RoHS* (*RoHS compliant for 100 psi to 5000 psi [7 bar to 350 bar])

## Industrial Pressure Sensor Platform

**TABLE 3. ELECTRICAL SPECIFICATIONS (AT 25 °C [77 °F] AND A RATED EXCITATION UNLESS OTHERWISE NOTED)**

Parameter	Current	Regulated	Regulated
<b>Zero output</b>	4 mA	0.25 Vdc	0.5 Vdc
<b>Full scale span (FSS)</b>	16 mA (4 mA to 20 mA)	10 Vdc (0.25 Vdc to 10.25 Vdc)	4 Vdc (0.5 Vdc to 4.5 Vdc)
<b>Excitation</b>	9.5 Vdc to 30 Vdc	14 Vdc to 30 Vdc	7 Vdc to 30 Vdc
<b>Supply current</b>	N/A	5 mA typ. (17 mA max.)	5 mA typ. (17 mA max.)
<b>Source (nominal)</b>	N/A	1 mA	1 mA
<b>Sink (nominal)</b>	N/A	1 mA at zero output	1 mA at zero output
<b>Supply rejection ratio</b>	90 dB	90 dB	90 dB
<b>Output impedance</b>	N/A	25 Ω max.	25 Ω max.

**TABLE 4. PERFORMANCE SPECIFICATIONS (AT 25 °C [77 °F] AND A RATED EXCITATION UNLESS OTHERWISE NOTED)**

Parameter	Characteristic
<b>Response time</b>	<2 ms
<b>Accuracy<sup>1</sup></b>	±0.15 % BFSL ±0.25 % BFSL
<b>Total error band<sup>2</sup></b>	±2 % FS

**Notes:**

1. Includes pressure non-linearity (BFSL), pressure hysteresis and non-repeatability. Thermal errors are not included.
2. Includes zero error, span error, thermal effect on zero, thermal effect on span, thermal hysteresis, pressure-non-linearity, pressure hysteresis and non-repeatability

**LISTINGS**

These are examples of common configurations that are available. Please refer to the “Nomenclature and Order Guide” in the data sheet for all possible product configurations. Order via Test and Measurement’s web site <http://measurementsensors.honeywell.com> or call our Inside Sales Team +1 614-850-5000 or 1-800-848-6564.

Order codes	Description
<b>IPG1BR,1BA, 2Y, 5F, 6M</b>	Model IP, 0.15 % accuracy, 100 psi, -10 °C to 85 °C [14 °F to 185 °F], 4 mA to 20 mA, 1/4 B Female, DIN 43650 connector
<b>IPG1CN,1BA, 2Y, 5F, 6M</b>	Model IP, 0.15 % accuracy, 250 psi, -10 °C to 85 °C [14 °F to 185 °F], 4 mA to 20 mA, 1/4 B Female, DIN 43650 connector
<b>IPG1BR,1BA, 2AC, 5F, 6M</b>	Model IP, 0.15 % accuracy, 100 psi, -10 °C to 85 °C [14 °F to 185 °F], 0.5 Vdc to 4.5 Vdc, 1/4 B Female, DIN 43650 connector
<b>IPG1CN,1BA, 2AC, 5F, 6M</b>	Model IP, 0.15 % accuracy, 250 psi, -10 °C to 85 °C [14 °F to 185 °F], 0.5 Vdc to 4.5 Vdc, 1/4 B Female, DIN 43650 connector
<b>IPG1NB,1BA, 2Y, 5F, 6M</b>	Model IP, 0.15 % accuracy, 7 bar, -10 °C to 85 °C [14 °F to 185 °F], 4 mA to 20 mA, 1/4 B Female, DIN 43650 connector
<b>IPG1NY,1BA, 2Y, 5F, 6M</b>	Model IP, 0.15 % accuracy, 16 bar, -10 °C to 85 °C [14 °F to 185 °F], 4 mA to 20 mA, 1/4 B Female, DIN 43650 connector
<b>IPG1NB,1BA, 2AC, 5F, 6M</b>	Model IP, 0.15 % accuracy, 7 bar, -10 °C to 85 °C [14 °F to 185 °F], 0.5 Vdc to 4.5 Vdc, 1/4 B Female, DIN 43650 connector
<b>IPG1NY,1BA, 2AC, 5F, 6M</b>	Model IP, 0.15 % accuracy, 16 bar, -10 °C to 85 °C [14 °F to 185 °F], 0.5 Vdc to 4.5 Vdc, 1/4 B Female, DIN 43650 connector

# IP Series

## ORDER CODE NOMENCLATURE

Combine the order code and options code.

**IPG1BR**

**1BA,2Y,5F,6M**

Order code

Options code

<b>IPG</b>	<b>1</b>	<b>BR</b>	<b>1BA</b>	<b>2Y</b>	<b>5F</b>	<b>6M</b>
Pressure Type	Accuracy	Range	Temperature Compensation	Electrical Output	Pressure Connection	Electrical Termination
<b>IPG</b> Gauge	<b>1</b> 0.15 %	<b>AT</b> 5 psi	<b>1BA</b> -10 °C to 85 °C [14 °F to 185 °F] *	<b>2AC</b> 0.5 Vdc to 4.5 Vdc, CE approved	<b>5B</b> 1/4in-18 NPT male	<b>6M</b> DIN 43650 standard
	<b>2</b> 0.25 %	<b>AV</b> 10 psi	<b>1AK</b> 4 °C to 60 °C [40 °F to 140 °F] **	<b>2AD</b> 0.25 Vdc to 10.25 Vdc, CE approved	<b>5D</b> 7/16in-20 UNF male	<b>6N</b> DIN 40050 (Mini)
		<b>BJ</b> 15 psi	* 100 psi to 5000 psi available in -10 °C to 85 °C [14 °F to 185 °F]	<b>2Y</b> 4 mA to 20 mA, two wire, CE approved	<b>5F</b> 1/4 B female	
		<b>BL</b> 25 psi	** 5 psi to 75 psi and 7500 psi to 10000 psi (0.5 bar to 3.5 bar, 700 bar) available in 4 °C to 60 °C [40 °F to 140 °F]		<b>5G</b> 1/4 B male	
		<b>BM</b> 30 psi				
		<b>BN</b> 50 psi				
		<b>BP</b> 75 psi				
		<b>BR</b> 100 psi				
		<b>CJ</b> 150 psi				
		<b>CL</b> 200 psi				
		<b>CN</b> 250 psi				
		<b>CR</b> 500 psi				
		<b>CT</b> 750 psi				
		<b>CV</b> 1000 psi				
		<b>DJ</b> 1500 psi				
		<b>DL</b> 2000 psi				
		<b>DN</b> 3000 psi				
		<b>DR</b> 5000 psi				
		<b>DT</b> 7500 psi				
		<b>DV</b> 10000 psi				

## Industrial Pressure Sensor Platform

### ORDER CODES

Order code	Description
<b>IPG1</b>	0.15 % pressure accuracy
<b>IPG2</b>	0.25 % pressure accuracy

### RANGE CODES

Range Code	Available ranges
<b>AT</b>	5 psi
<b>AV</b>	10 psi
<b>BJ</b>	15 psi
<b>BL</b>	25 psi
<b>BM</b>	30 psi
<b>BN</b>	50 psi
<b>BL</b>	75 psi
<b>BR</b>	100 psi
<b>CJ</b>	150 psi
<b>CL</b>	200 psi
<b>CN</b>	250 psi
<b>CR</b>	500 psi
<b>CT</b>	750 psi
<b>CV</b>	1000 psi
<b>DJ</b>	1500 psi
<b>DL</b>	2000 psi
<b>DN</b>	3000 psi
<b>DR</b>	5000 psi
<b>DT</b>	7500 psi
<b>DV</b>	10000 psi
<b>MD</b>	0.5 bar
<b>ME</b>	1 bar
<b>MF</b>	2 bar
<b>NA</b>	3.5 bar
<b>NB</b>	7 bar
<b>MH</b>	10 bar
<b>NY</b>	16 bar
<b>NZ</b>	25 bar
<b>PB</b>	40 bar
<b>PC</b>	60 bar
<b>ML</b>	100 bar
<b>PD</b>	160 bar
<b>NL</b>	250 bar
<b>NG</b>	350 bar
<b>NH</b>	700 bar

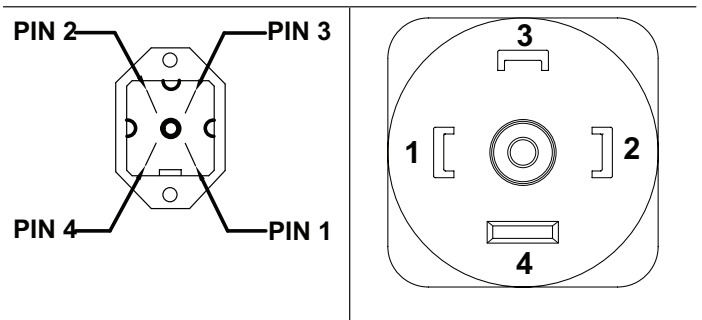
### OPTION CODES

<b>Available Ranges</b>	5 psi, 10 psi, 15 psi, 25 psi, 30 psi, 50 psi, 75 psi, 100 psi, 150 psi, 200 psi, 250 psi, 500 psi, 750 psi, 1000 psi, 1500 psi, 2000 psi, 3000 psi, 5000 psi, 7500 psi, 10000 psi, 0.5 bar, 1 bar, 2 bar, 3.5 bar, 7 bar, 10 bar, 16 bar, 25 bar, 40 bar, 60 bar, 100 bar, 160 bar, 250 bar, 350 bar, 700 bar
<b>Temperature Compensation</b>	<b>1BA.</b> -10 °C to 85 °C [14 °F to 185 °F] * <b>1AK.</b> 4 °C to 60 °C [40 °F to 140 °F] **
<b>Electrical Output</b>	<b>2AC.</b> 0.5 Vdc to 4.5 Vdc, CE approval <b>2AD.</b> 0.25 Vdc to 10.25 Vdc, CE approval <b>2Y.</b> 4 mA to 20 mA, two wire, CE approval
<b>Pressure Connection</b>	<b>5B.</b> 1/4 in-18 NPT male <b>5D.</b> 7/16 in-20 UNF male <b>5F.</b> 1/4 B female <b>5G.</b> 1/4 B male
<b>Electrical Termination</b>	<b>6M.</b> DIN 43650 standard <b>6N.</b> DIN 40050 (mini)

\* 100 psi to 5000 psi available in -10 °C to 85 °C [14 °F to 185 °F]

\*\* 5 psi to 75 psi and 7500 psi to 10000 psi (0.5 bar to 3.5 bar, 700 bar) available in 4 °C to 60 °C [40 °F to 140 °F]

### PIN OUTS



**DIN 40050 (Hirschmann), 4-pin**

**DIN 43650, 4-pin**

#### Regulated

1.) + Power	1.) + Power
2.) + Output	2.) + Output
3.) Common	3.) Common
4.) NC	4.) NC

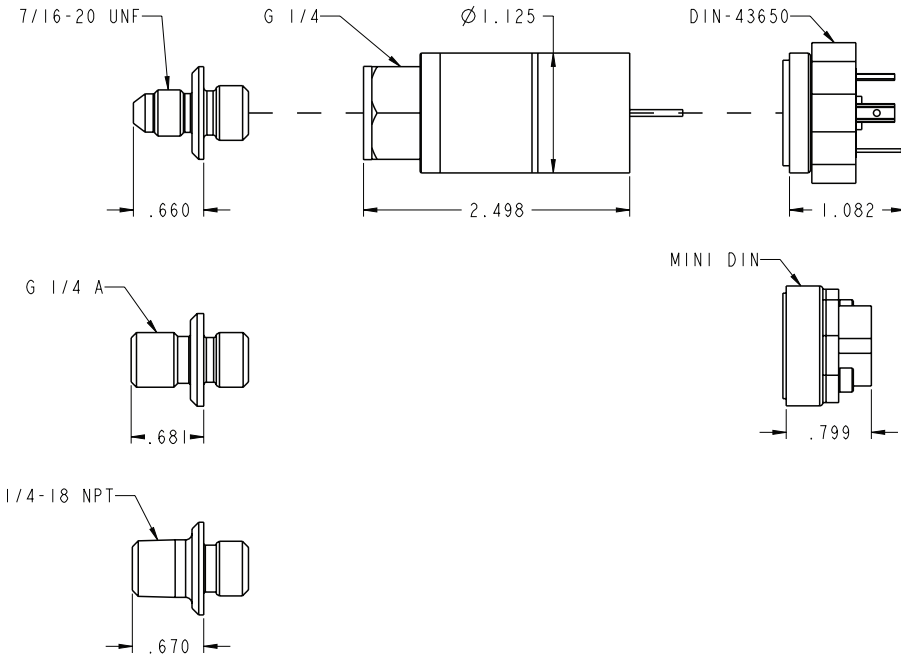
#### Current

1.) + Power	1.) + Power
2.) + Output	2.) + Output
3.) NC	3.) NC
4.) NC	4.) NC

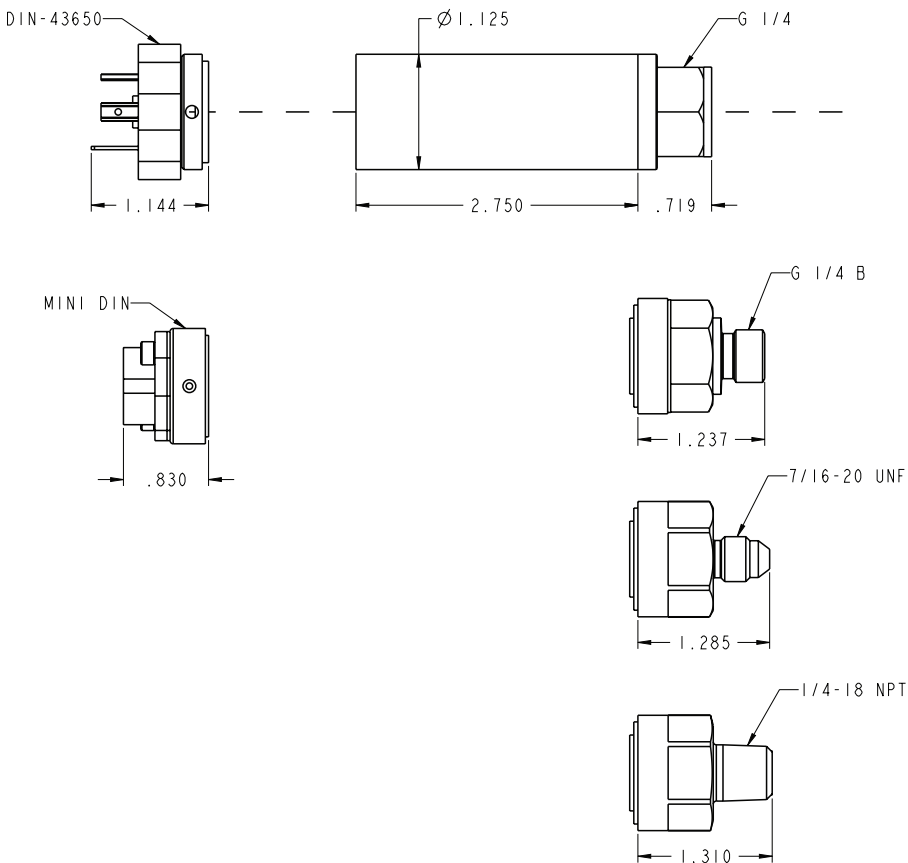
Note: Ranges > 1000 psi and 100 bar - end users should take appropriate steps to ensure safety with respect to pressure port attachment.

# IP Series

**FIGURE 1. MOUNTING DIMENSIONS (FOR PRESSURE RANGES 100 PSI TO 5000 PSI)**



**FIGURE 2. MOUNTING DIMENSIONS (FOR PRESSURE RANGES 5 PSI TO 75 PSI, 7500 PSI, AND 10000 PSI)**



**Warranty.** Honeywell warrants goods of its manufacture as being free of defective materials and faulty workmanship. Honeywell's standard product warranty applies unless agreed to otherwise by Honeywell in writing; please refer to your order acknowledgement or consult your local sales office for specific warranty details. If warranted goods are returned to Honeywell during the period of coverage, Honeywell will repair or replace, at its option, without charge those items it finds defective. **The foregoing is buyer's sole remedy and is in lieu of all warranties, expressed or implied, including those of merchantability and fitness for a particular purpose. In no event shall Honeywell be liable for consequential, special, or indirect damages.**

While we provide application assistance personally, through our literature and the Honeywell web site, it is up to the customer to determine the suitability of the product in the application.

Specifications may change without notice. The information we supply is believed to be accurate and reliable as of this printing. However, we assume no responsibility for its use.

## **WARNING**

### **PERSONAL INJURY**

- DO NOT USE these products as safety or emergency stop devices or in any other application where failure of the product could result in personal injury.

**Failure to comply with these instructions could result in death or serious injury.**

## **WARNING**

### **MISUSE OF DOCUMENTATION**

- The information presented in this datasheet is for reference only. DO NOT USE this document as product installation information.
- Complete installation, operation and maintenance information is provided in the instructions supplied with each product.

**Failure to comply with these instructions could result in death or serious injury.**

### **Find out more**

Honeywell serves its customers through a worldwide network of sales offices, representatives and distributors. For application assistance, current specifications, pricing or name of the nearest Authorized Distributor, contact your local sales office. To learn more about Honeywell's test and measurement products, call **+1-614-850-5000**, visit **<http://measurementsensors.honeywell.com>**, or e-mail inquiries to **[info.tm@honeywell.com](mailto:info.tm@honeywell.com)**

Sensing and Control  
Honeywell  
1985 Douglas Drive North  
Golden Valley, MN 55422  
**[www.honeywell.com](http://www.honeywell.com)**

008889-1-EN IL50 GLO  
May 2012  
Copyright © 2012 Honeywell International Inc. All rights reserved.  
Hastelloy® is the registered trademark name of Haynes International, Inc.

# Honeywell