

Model 420

DP Low Range Two Wire Wet/Wet Differential Pressure Transducer



DESCRIPTION

The Model 420 DP two-wire low range differential pressure transmitters utilize supply voltage of 9 Vdc to 32 Vdc to produce a two-wire 4 mA to 20mA process loop output for differential pressure ranges of 2 psid to 25 psid. A minimum full scale accuracy of 0.5% is achieved. Stainless steel construction ensures

durability under harsh, industrial conditions and includes zero and span adjustments. A variety of options are available with the Model 420 including choice of pressure adaptors and pressure ports.

FEATURES

- 0.5% accuracy
- 2 psid to 25 psid range
- Stainless steel
- Intrinsically safe available (2N option only)⁴
- CE approved⁵

Model 420

PERFORMANCE SPECIFICATIONS

Characteristic	Measure
Pressure ranges	2, 5, 10, 15, 25 psid
Accuracy	±0.5 % full scale
Linearity	±0.25 % full scale (typical)
Hysteresis	±0.13 % full scale (typical)
Non-repeatability	±0.07 % full scale (typical)
Output (standard)	4 mA to 20 mA
Line pressure	1500 psi
Resolution	Infinite

ENVIRONMENTAL SPECIFICATIONS

Characteristic	Measure
Temperature, operating	18 °C to 82 °C [0 °F to 180 °F]
Temperature, compensated	-1 °C to 54 °C [30 °F to 130 °F]
Temperature, effect, zero	±1.0 % full scale/100 °F
Temperature, effect, span	±1.0 % reading/100 °F

ELECTRICAL SPECIFICATIONS

Characteristic	Measure
Strain gage type	Bonded foil
Excitation (calibration)	15 Vdc to 40 Vdc
Max. load resistance	500 ohm
Shunt calibration data	Included
Elec. termination (std)	PTIH-10-6P or equiv. (Hermetic stainless)
Mating conn. (not incl)	PT06A-10-6S or equiv. (AA111)

MECHANICAL SPECIFICATIONS

Characteristic	Measure
Media	Gas, liquid
Overload-safe	1500 psi either side
Pressure port	1/8-27 NPT female
Wetted parts material	316 stainless steel
Case material	Stainless steel

WIRING CODES

Connector	Two-wire current 4 mA to 20 mA
A	(+) supply
B	no connection
C	no connection
D	(+) output (4 mA to 20 mA)
E	Case ground
F	no connection

RANGE CODES

Range Code	Available ranges
AR	2 psid
AT	5 psid
AV	10 psid
BJ	15 psid
BL	25 psid

OPTION CODES

	Many range/option combinations are available in our quick-ship and fast-track manufacture programs. Please see http://sensing.honeywell.com/TMsensor-ship for updated listings.
Pressure ranges (psid)	2, 5, 10, 15, 25
Temperature compensation	1b. 30 °F to 130 °F 1a. 60 °F to 160 °F 1c. 0 °F to 185 °F
Internal amplifiers	2k. 4 mA to 20 mA (two wire)
Internal amplifier enhancements	3d. Remote buffered shunt calibration
Pressure ports²	5h. 1/8-27 NPT female 5c. 7/16-20 UNF female
Electrical termination	6a. Bendix PTIH-10-6P (or equiv.) 6 pin (max. 250 °F) 6e. Integral cable: Teflon (-54 °C to 245 °C) 6f. Integral cable: PVC (-30 °C to 70 °C) 6g. Integral cable: Neoprene (-20 °C to 80 °C ¹) 6h. Integral cable: Silicone (-54 °C to 150 °C) 6i. Integral underwater cable (max. 80°C) ¹ 6j. 1/2-14 conduit fitting with 1,5 m [5 ft] 4 conductor PVC cable
Special calibration	9a. 10 point (5 up/5 down) 20% increments @ 20 °C 9b. 20 point (10 up/10 down) 20% increments @ 20 °C
Wetted diaphragm	10a. 316 stainless steel
Increased line pressure	25a. 2000 psi line pressure 25b. 3000 psi line pressure 12a. 5000 psi line pressure
O ring seals	26c. Teflon

Model 420

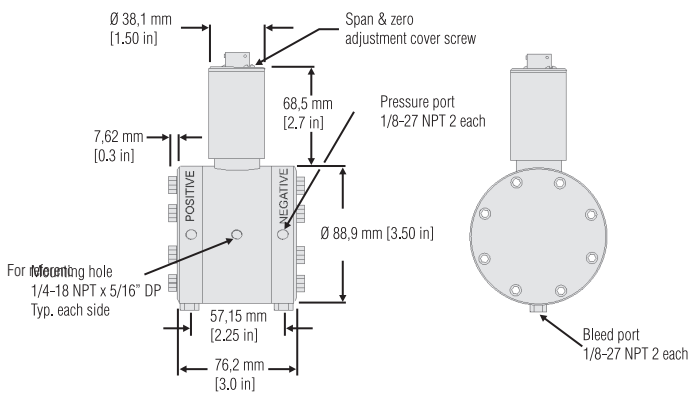
DP Low Range Two Wire Wet/Wet Differential Pressure Transducer

NOTES

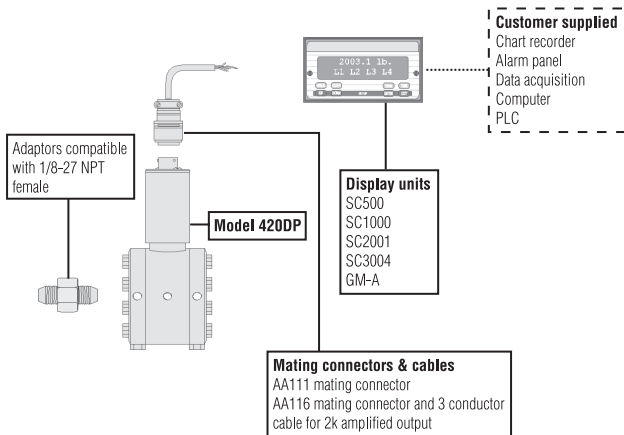
1. Availability varies according to range.
2. Some pressure port options may require axial orientation.
3. Range dependent; consult factory. Termination dependent; consult factory.
4. Internal amp and termination dependent; consult factory.

Unless otherwise specified on order, amplified units with 4 mA to 20 mA output will provide 4 mA at 0 psid and 20 mA at positive full scale and the unit will not operate in the negative direction. An available alternative is to specify 4 mA at negative full scale and 20 mA at positive full scale.

MOUNTING DIMENSIONS AND CHARACTERISTICS



TYPICAL SYSTEM DIAGRAM



Warranty. Honeywell warrants goods of its manufacture as being free of defective materials and faulty workmanship. Honeywell's standard product warranty applies unless agreed to otherwise by Honeywell in writing; please refer to your order acknowledgement or consult your local sales office for specific warranty details. If warranted goods are returned to Honeywell during the period of coverage, Honeywell will repair or replace, at its option, without charge those items it finds defective. **The foregoing is buyer's sole remedy and is in lieu of all warranties, expressed or implied, including those of merchantability and fitness for a particular purpose. In no event shall Honeywell be liable for consequential, special, or indirect damages.**

While we provide application assistance personally, through our literature and the Honeywell web site, it is up to the customer to determine the suitability of the product in the application.

Specifications may change without notice. The information we supply is believed to be accurate and reliable as of this printing. However, we assume no responsibility for its use.

For more information about Sensing and Control products, visit www.honeywell.com/sensing or call +1-815-235-6847. Email inquiries to info.sc@honeywell.com

⚠ WARNING

PERSONAL INJURY

- DO NOT USE these products as safety or emergency stop devices or in any other application where failure of the product could result in personal injury.

Failure to comply with these instructions could result in death or serious injury.

⚠ WARNING

MISUSE OF DOCUMENTATION

- The information presented in this catalogue is for reference only. DO NOT USE this document as product installation information.
- Complete installation, operation and maintenance information is provided in the instructions supplied with each product.

Failure to comply with these instructions could result in death or serious injury.

Sensing and Control
Automation and Control Solutions
Honeywell
1985 Douglas Drive North
Golden Valley, MN 55422 USA
+1-815-235-6847
www.honeywell.com/sensing

008708-1-EN IL50 GLO
May 2008
Copyright © 2008 Honeywell International Inc. All rights reserved.

Honeywell