

# basic pressure sensors



## **Covering all the basics like never before!**

Whether you want to do your own compensation or not, Honeywell has a basic pressure sensor for all your needs. We've got the basics covered with manufacturing excellence, a reliable supply chain, and performance you can trust.

**Reliability. Affordability. Availability.**  
**To us, some things are just Basic.**

# **Honeywell**



## Features and Benefits

- **Small Size:** Package size is very small (as small as 7 mm x 7 mm [0.276 in x 0.276 in]) when compared to most board mount pressure sensors, typically allowing for easy placement on crowded PCBs or in small devices
- **Durable:** Many features that allow for use in tough environments
  - Wide operating temperature range: -40 °C to 125 °C [-40 °F to 257 °F]
  - Media compatibility options:
    - **No gel coating:** Input port is limited to non-corrosive, non-ionic media such as dry air and gases and should not be exposed to condensation
    - **Silicone gel coating:** Allows use in applications where condensation can occur
- **Flexible:** Numerous package styles, pressure ranges, housings, gel coating, and porting options simplify integration into the device manufacturer's application
- **Robust:** Reflow mounting and rapid stabilization after reflow soldering permits immediate calibration

## Value to Customers

- Manufacturing excellence
- Fast request for quotes (RFQs)
- Fast samples
- Reliable supply chain
- Designed to Six Sigma standards

## Potential Applications

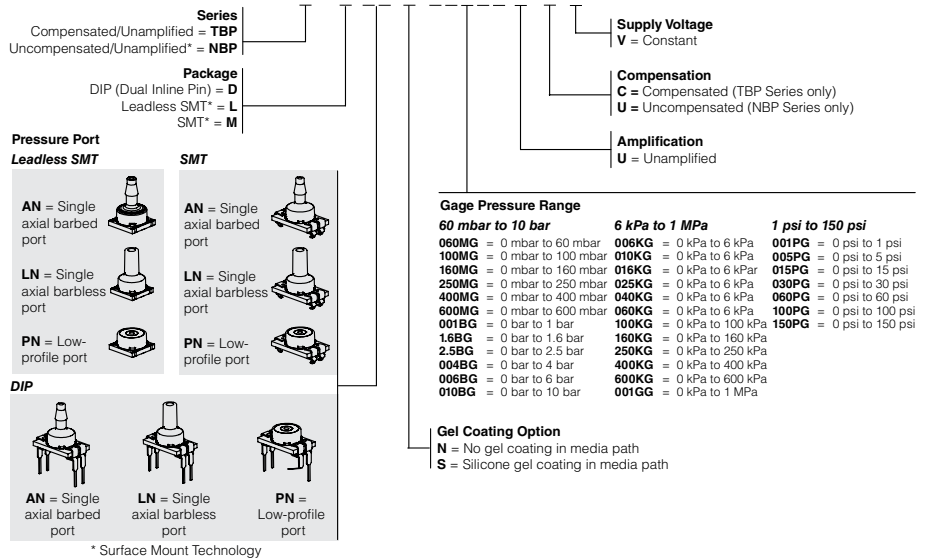
### Medical

- Hospital bed
- Oxygen concentrators
- Wound therapy
- Blood pressure monitoring

### Industrial

- HVAC transmitters
- Air movement control
- Environmental control
- Level indicators
- Leak detection
- Industrial controls
- Pneumatic controls
- Other commercial applications

## A wide variety of configurations to choose from!



**Call today for fast quotes and fast samples.**

For more information about sensing and control products, visit [sensing.honeywell.com](http://sensing.honeywell.com) or call **+1-815-235-6847**. Email inquiries to [info.sc@honeywell.com](mailto:info.sc@honeywell.com)

Sensing and Control  
 Honeywell  
 1985 Douglas Drive North  
 Golden Valley, MN 55422  
[honeywell.com](http://honeywell.com)

008252-2-EN  
 February 2014  
 Copyright © 2014 Honeywell International Inc. All rights reserved.

**Honeywell**