

EPM22 SERIES CHART 3

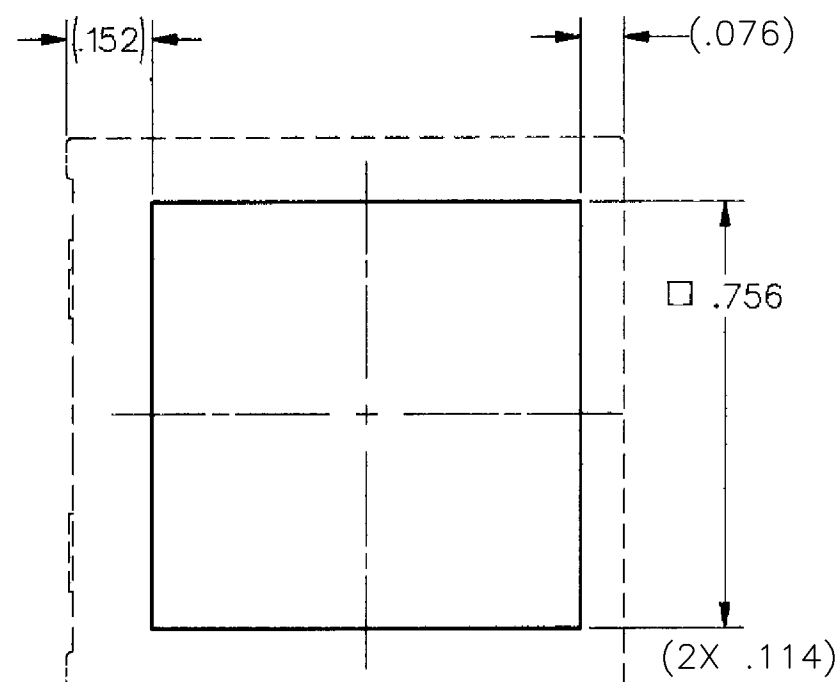
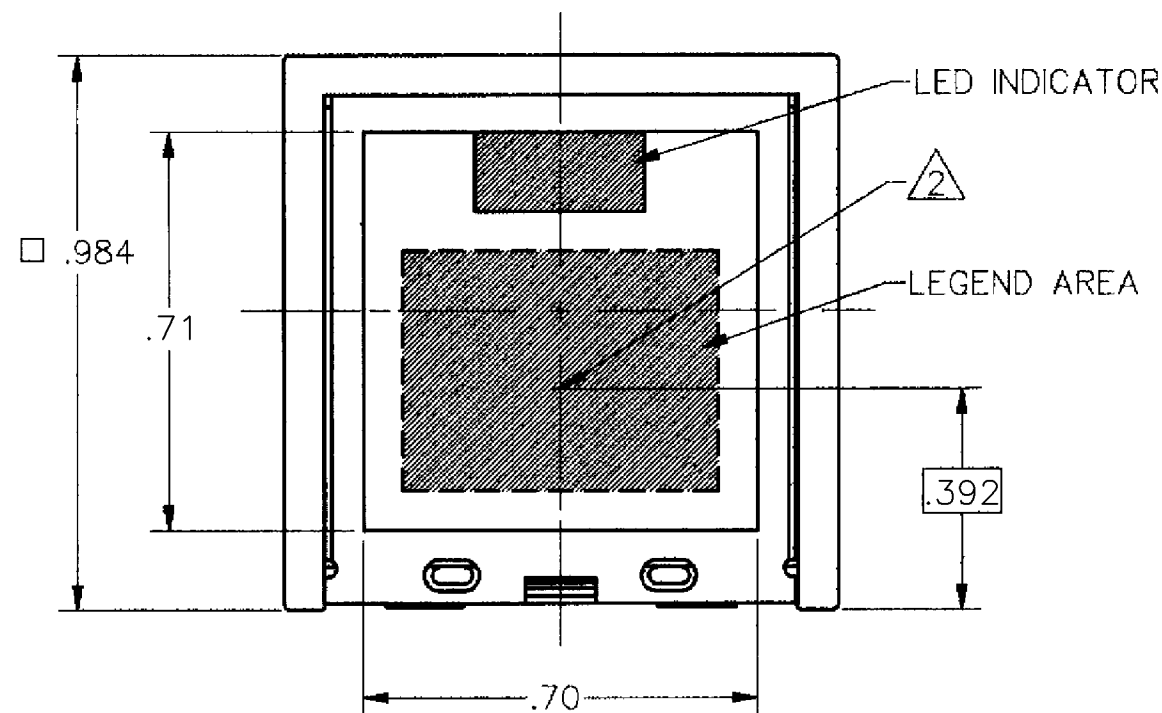
ELECTRICAL DATA

CONTACT ARRANGEMENT
S P D T

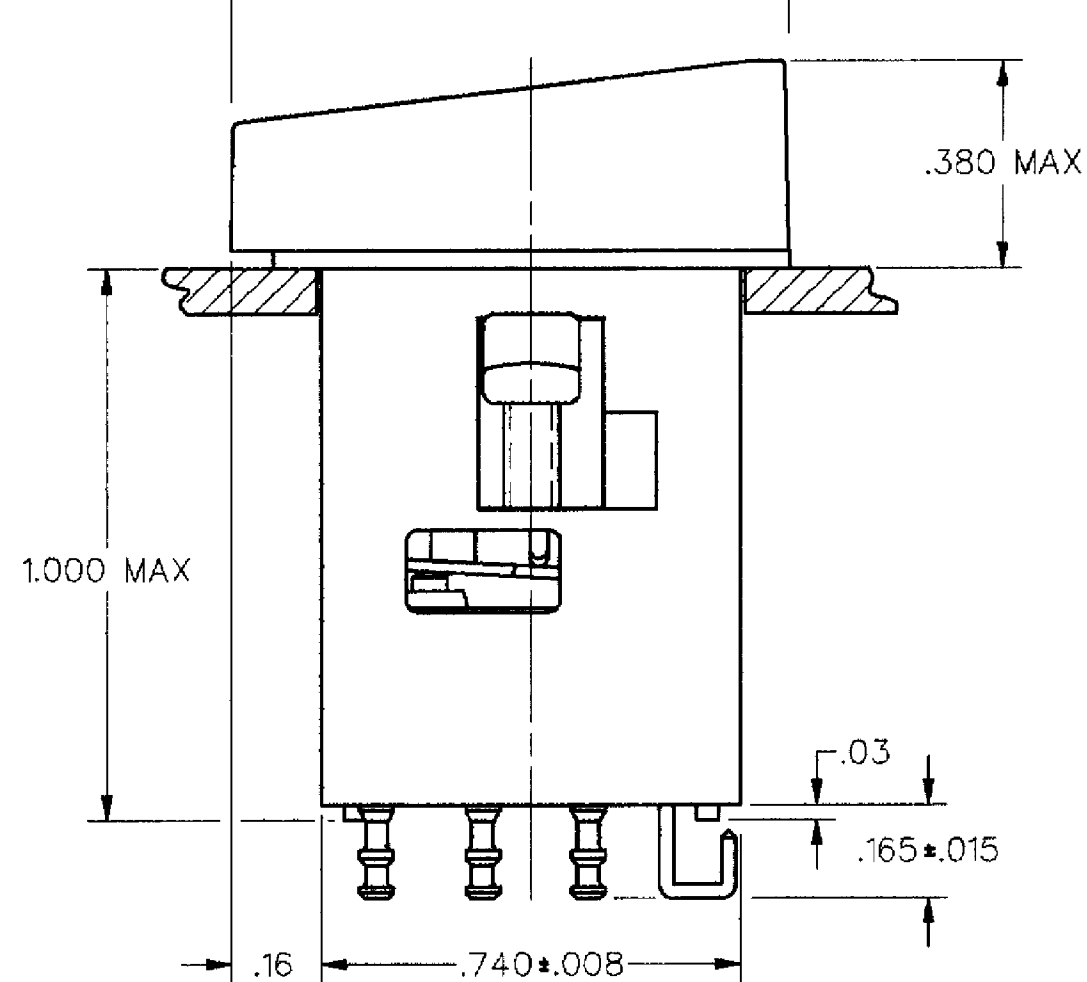
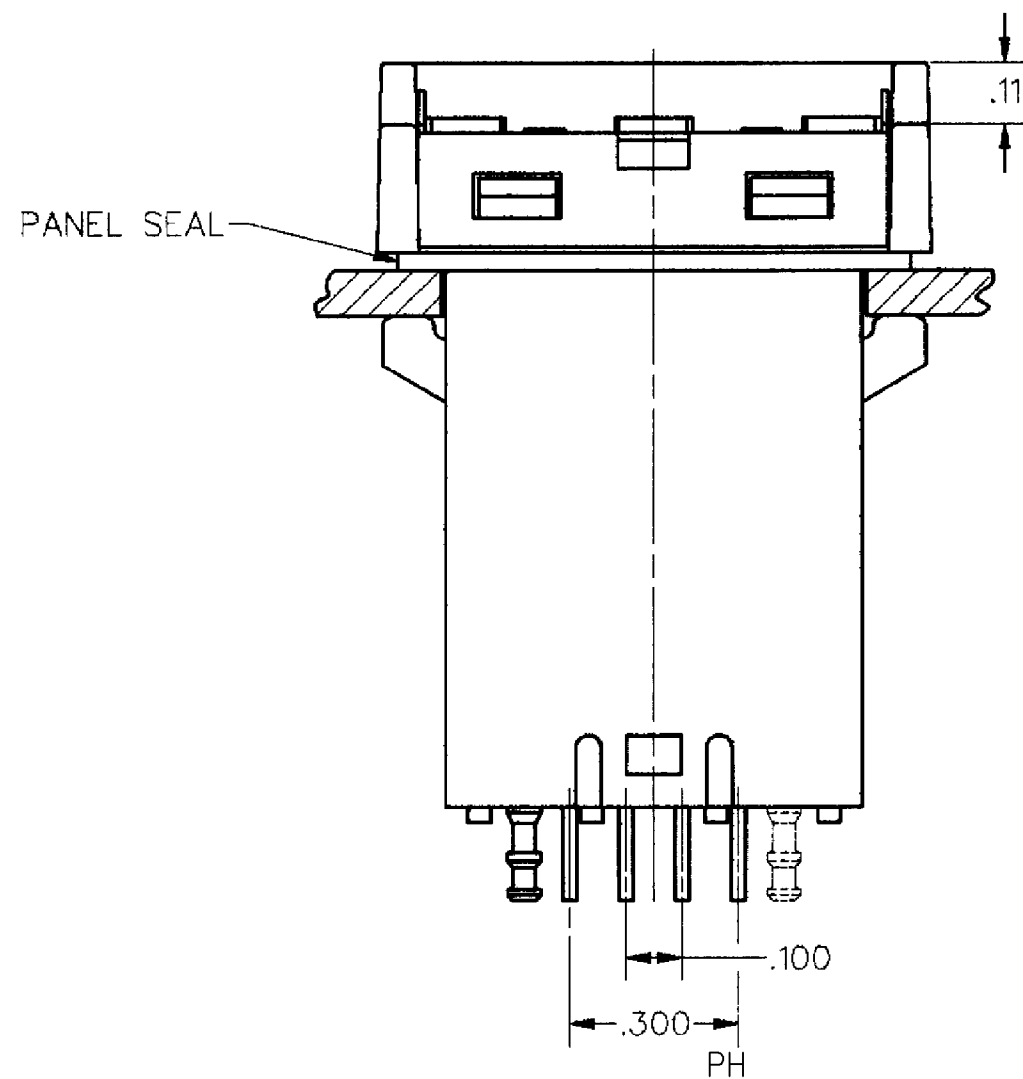
30 VOLTS DC RATING
INDUCTIVE-----SEA LEVEL-----1/2 AMP
50,000 FT-----1/2 AMP
RESISTIVE-----SEA LEVEL-----1 AMP
50,000 FT-----1 AMP
MAXIMUM INRUSH-----2 AMP

CHARACTERISTICS

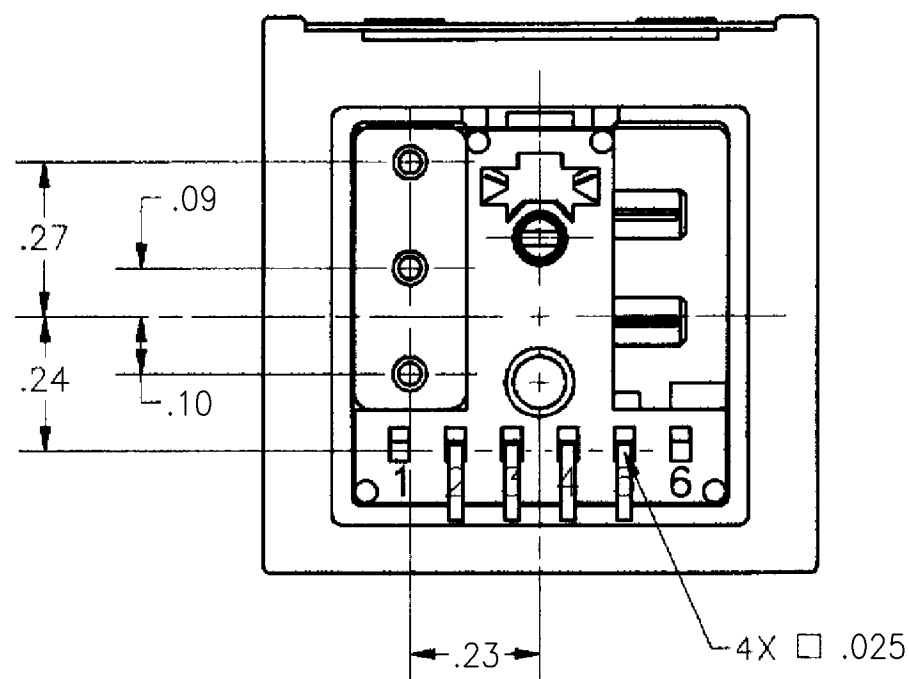
TOTAL TRAVEL----- .030 MAX
OPERATING FORCE---- 20 - 60 OZ
LED VOLTAGE----- 4-4V RED, YELLOW, 4-6V GREEN
LED CURRENT----- 30mA MAX, RED & GREEN, 20mA MAX YELLOW
20mA TYPICAL
PANEL THICKNESS--- .063 MIN
.189 MAX
TEMPERATURE RANGE- -40°C TO 85°C RED & YELLOW
-20°C TO 85°C GREEN



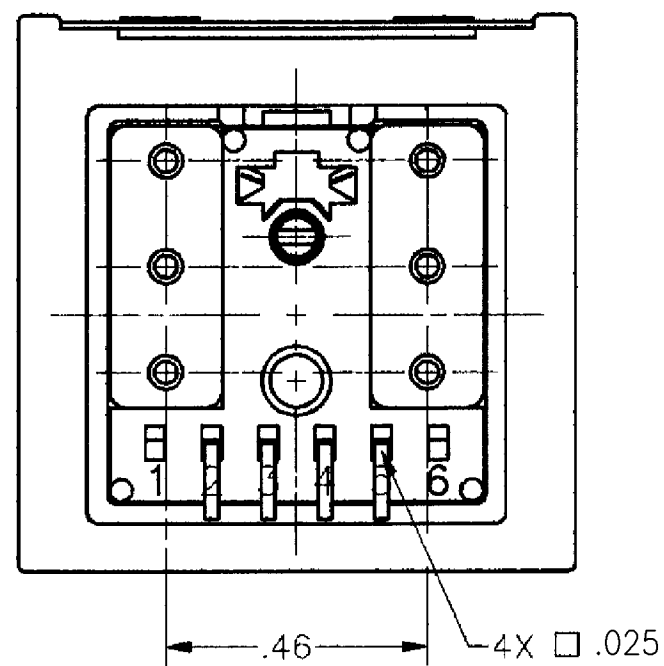
PANEL CUTOUT



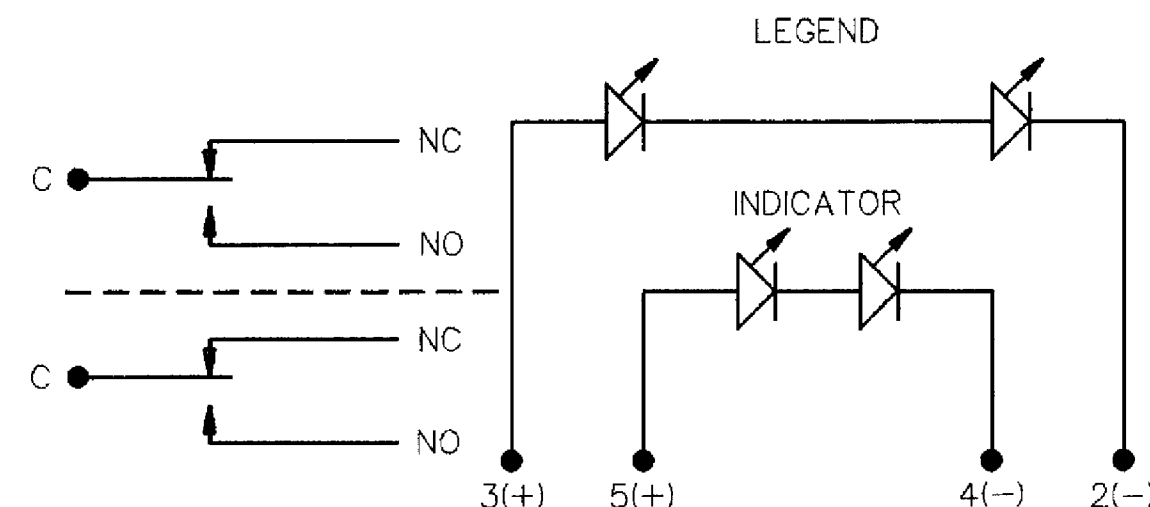
NOTES
1 - MOUNTING TORQUE: 2 1/2-2 3/4 INCH-LBS
2 - OPERATING FORCE MEASURED AT THIS POINT



1 POLE



2 POLE



CIRCUIT DIAGRAM

THIRD ANGLE PROJECTION

SCALE 3:1

DO NOT SCALE PRINT

UNLESS OTHERWISE SPECIFIED TOLERANCES ARE

ONE PLACE (0) ± .030
TWO PLACES (.00) ± .015
THREE PLACES (.000) ± .005
ANGLES ±

WEIGHT

THIS DRAWING COVERS A PROPRIETARY ITEM AND IS THE PROPERTY OF MICRO SWITCH, A DIVISION OF HONEYWELL. THIS DRAWING IS NOT TO BE COPIED OR USED WITHOUT THE APPROVAL OF MICRO SWITCH.

MICRO SWITCH
a Honeywell Division
FED. MFG. CODE 91929

PUSHBUTTON
INDICATOR

CATALOG LISTING
EPM22 SERIES
CHART 3

ANSI Y14.5M-1982 APPLIES

EPM22 SERIES CHART 3
DRAWING NUMBER
2

DDM/CAD
DRAWN
TSM 16MAY91
CHECK M.A.M. 29 MAY 91
CHECK R.B.S. 23 MAY 91
REV. 1
A 0012654
PRT'D
MAY 91

RELEASE NO. CO-69694A REPLACES