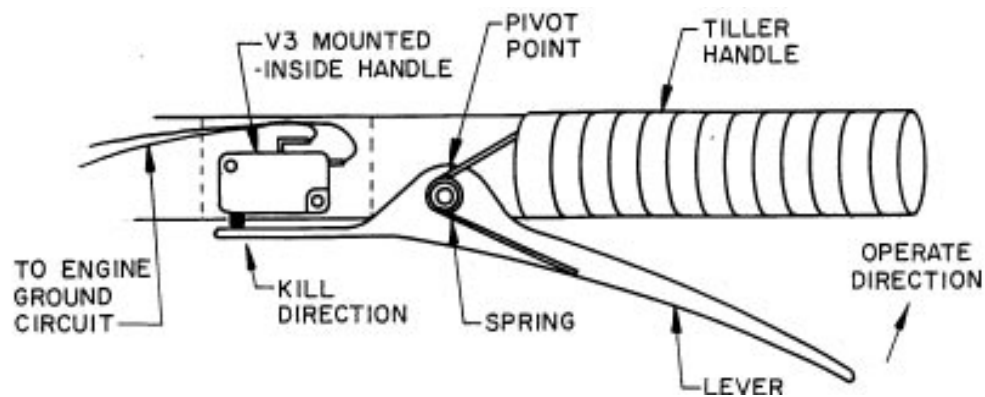


Rototiller

BASIC
AP 00001



PRODUCT

Basic-V3

APPLICATION DESCRIPTION

Deadman switch on rototiller handles. Spring loaded levers on each handle hold a V3 switch actuated. To operate the machine, at least one lever must be held closed. If both levers are released, the V3s in the tubular handles will be actuated to ground out the engine.