

# Armoured Vehicle Gun Control and Ammunition Loading System

**CUSTOMER:**

Rheinmetall Waffe Munition GmbH

**INDUSTRY:**

Ordnance

**APPLICATION:**

PzH 2000 (Panzerhaubitze 2000) - 155mm self propelled Howitzer.

**PRODUCT:**

Gun Control System ZS-00400-90

Consists of the following components:

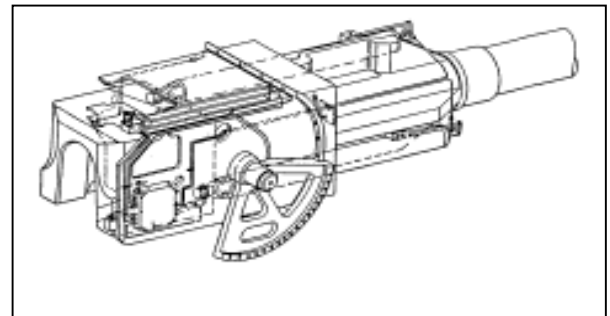
ZS-00334-04	Control unit	Includes power supply unit, interface unit, and housing assy.
ZS-00331-021	Proximity sensor	Monitors the breech position, either open/closed.
ZS-00331-085	Proximity sensor	Monitors the gun barrel position.
ZS-00331-092	Proximity sensor	Monitors the gun barrel position.
ZS-00405-01	Temperature sensor	Monitors the gun barrel temperature.
ZS-00415-01	Proximity sensor	Monitors the gun barrel position.
ZS-00362-285	Pressure proof proximity sensor (2 off)	Monitors the oil level in the brakes.
ZS-00404-091, -092, -093, -095, -096	Cable harnesses	Interconnecting cables



Ammunition Loading System

Consists of the following components:

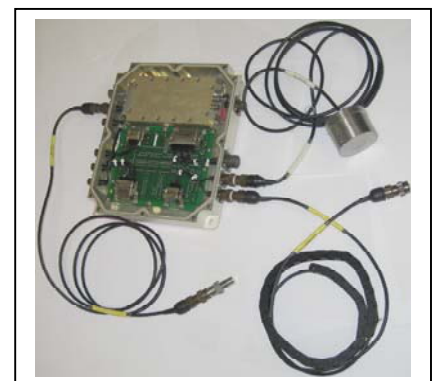
ZS-00350-11	Proximity sensor with BITE
ZS-00350-04Z-02	Proximity sensor with BITE
ZS-00350-07Z-02	Proximity sensor with BITE
ZS-00351-01	Proximity sensor with BITE



**DESCRIPTION:**

The gun control system controls the movement of the gun during firing by monitoring the oil level in the brakes, temperature of the gun barrel and position of the breech (either open or closed).

The autoloader system controls the movement flow of ammunition within the vehicle.



This document and the information disclosed herein are confidential and proprietary data of Honeywell International Inc. Neither this document or the information contained herein shall be reproduced, used, or disclosed to others without written permission of Honeywell International Inc. While we provide application assistance personally, through our literature and the Honeywell web site, it is up to the customer to determine the suitability of the product in the application. Specifications may change without notice. The information we supply is believed to be accurate and reliable as of this printing. However, we assume no responsibility for its use.

Copyright 2004-2005 Honeywell International Inc. All rights reserved.

<p><b>⚠ WARNING</b>  <b>Misuse of documentation</b></p>
<ul style="list-style-type: none"> <li>The information presented in this product sheet is for reference only. <b>DO NOT USE</b> this document as product installation information.</li> <li>Complete installation, operation and maintenance information is provided in the instructions supplied with each product.</li> </ul>
<p><b>Failure to comply with these instructions could result in death or serious injury.</b></p>