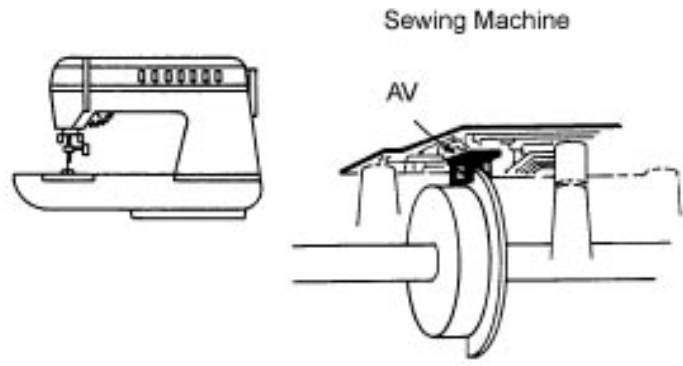


Shaft Encoding - Sewing Machines

SOLID STATE
AP 00245



PRODUCT

Solid state sensors AV

APPLICATION DESCRIPTION

The magnet target actuates the sensor to indicate the position of the rotary shaft.