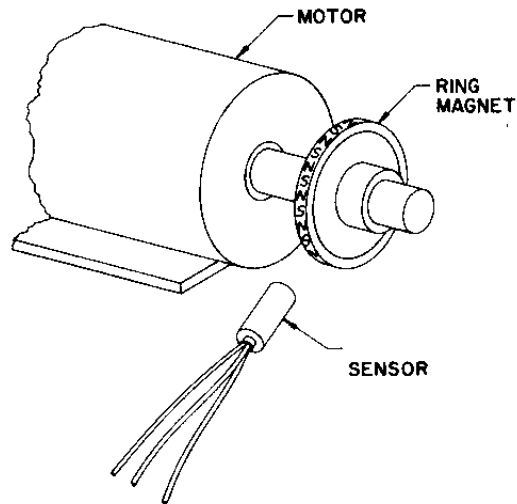


Shaft Encoding - Tachometer

SOLID STATE
AP 00243



PRODUCT

Hall effect sensor (SS400 or SR)

APPLICATION DESCRIPTION

The target (ring magnet) actuates the sensor to indicate the shaft position and the speed of shaft rotation.