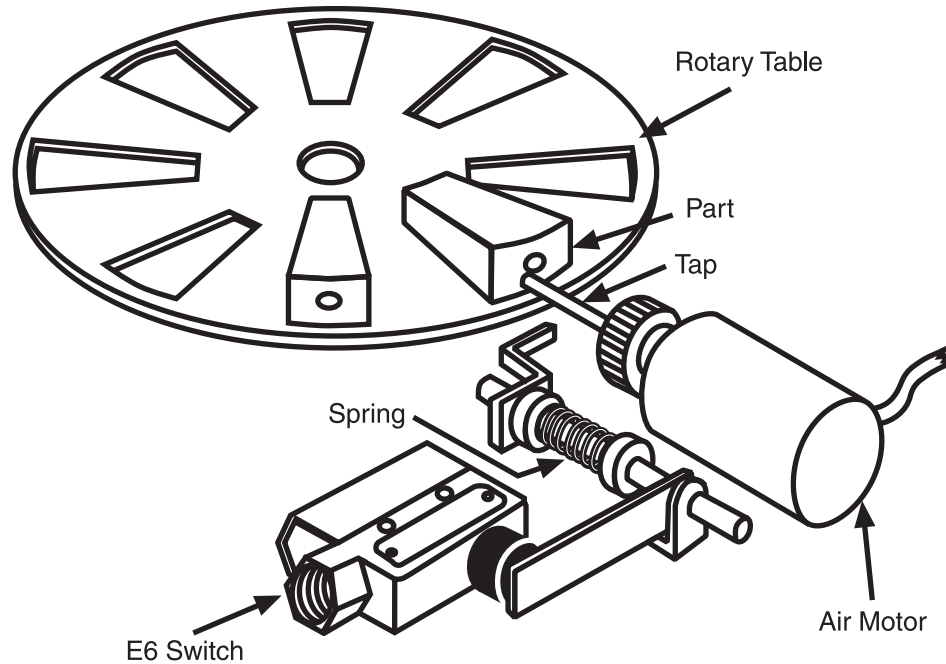


## Broken Taps

ENCLOSED  
AP 00034



### PRODUCT

E6 compact epoxy filled enclosed switch

### APPLICATION DESCRIPTION

Broken taps on a production line could mean defective parts. This idea shows how the normal movement of a tap into a hole actuates an E6 enclosed switch to open a relay which allows automatic cycling to continue. At each indexing, a relay actuated by the table movement is held in until the switch is actuated by the normal action of the tap. With the shorter movement of a broken tap, the E6 switch is not actuated, the relay stays in, the table will not index, and the pilot lamp signals trouble.