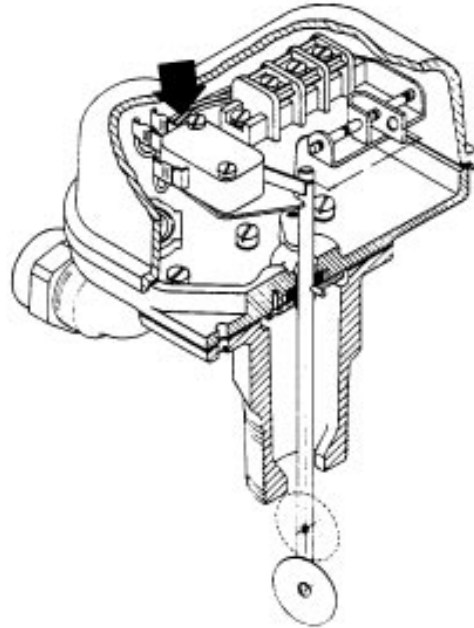


Fluid Flow Switch

BASIC
AP 00002



PRODUCT
V3 Switch

APPLICATION DESCRIPTION

Detects and signals flow change in range of 10 to 85,000 gallons per minute. Small disk suspended in fluid stream. Deflection of disk causes shaft to actuate V3 switch and trigger electrical signal.