

AML76 Series Switch Guard/Cover



DESCRIPTION

Honeywell's AML76 Series switch guard protects square and rectangular 0.19-inch standard height pushbuttons from inadvertent actuation. It is for use with standard bezel type switches only.

The switch guard's cover is clear, polycarbonate thermoplastic through which the button is easily visible. The word "lift" is molded onto the top front edge of the guard. The bracket is bright-finished stainless steel.

FEATURES AND BENEFITS

- Button cannot be operated when switch guard cover is closed, preventing accidental operation
- Wire lock-down feature further prevents unintentional actuation of the switch
- Lamps can be replaced with the switch guard attached, without special tools, saving time and maintenance
- Can be used with alternate or momentary action square or rectangular 0.19-inch standard height AML buttons
- Shock-resistant construction for long, maintenance-free life

The switch guard may be assembled to the AML pushbutton before the switch is installed in a panel. Or, the guard can be assembled to a pushbutton already mounted in a panel, providing the wiring is sufficiently slack to raise the switch bezel above the panel, and if there is sufficient clearance with adjacent units. It may be mounted in both horizontal and vertical matrices. A wire lock-down feature, using 0.020 inch diameter locking wire, may be used as an additional protection.

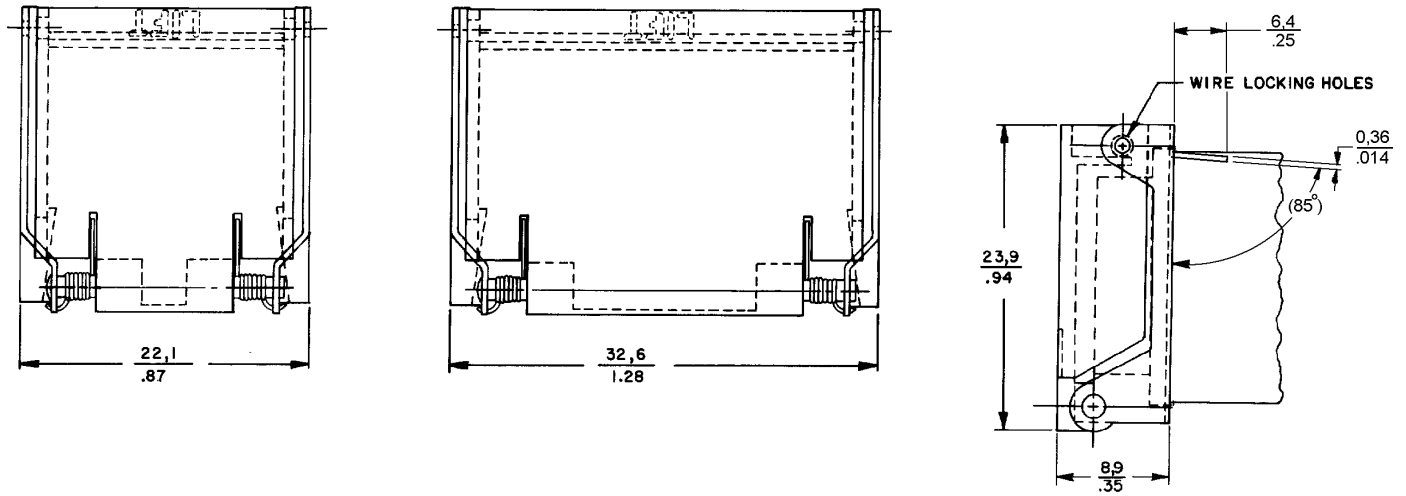
POTENTIAL APPLICATIONS

Manual operations, including control boards and panels in

- Industrial and test equipment
- Computer mainframes and peripherals
- Process control
- Medical instrumentation

AML76 Series

DIMENSIONS AND ASSEMBLY



STANDARD LISTINGS

Part number	Description
AML76C10T01P	AML76 Series square switch guard/cover
AML76F10T01P	AML76 Series rectangular switch guard/cover

Note: The AMI76F10T01P cannot be used with the following AML rocker series: AML14, AML16, AML24, and AML26.

Warranty. Honeywell warrants goods of its manufacture as being free of defective materials and faulty workmanship. Honeywell's standard product warranty applies unless agreed to otherwise by Honeywell in writing; please refer to your order acknowledgement or consult your local sales office for specific warranty details. If warranted goods are returned to Honeywell during the period of coverage, Honeywell will repair or replace, at its option, without charge those items it finds defective. **The foregoing is buyer's sole remedy and is in lieu of all warranties, expressed or implied, including those of merchantability and fitness for a particular purpose. In no event shall Honeywell be liable for consequential, special, or indirect damages.**

While we provide application assistance personally, through our literature and the Honeywell web site, it is up to the customer to determine the suitability of the product in the application.

Specifications may change without notice. The information we supply is believed to be accurate and reliable as of this printing. However, we assume no responsibility for its use.

Find out more

Honeywell serves its customers through a worldwide network of sales offices, representatives and distributors. For application assistance, current specifications, pricing or name of the nearest Authorized Distributor, contact your local sales office. To learn more about Honeywell's sensing and control products, call **+1-815-235-6847/1-800-537-6945**, visit **sensing.honeywell.com**, or e-mail inquiries to **info.sc@honeywell.com**

Sensing and Control
Honeywell
1985 Douglas Drive North
Golden Valley, MN 55422 USA
sensing.honeywell.com

WARNING

MISUSE OF DOCUMENTATION

- The information presented in this datasheet is for reference only. DO NOT USE this document as product installation information.
- Complete installation, operation and maintenance information is provided in the instructions supplied with each product.

Failure to comply with these instructions could result in death or serious injury.

WARNING

PERSONAL INJURY

DO NOT USE these products as safety or emergency stop devices or in any other application where failure of the product could result in personal injury.

Failure to comply with these instructions could result in death or serious injury.

Honeywell