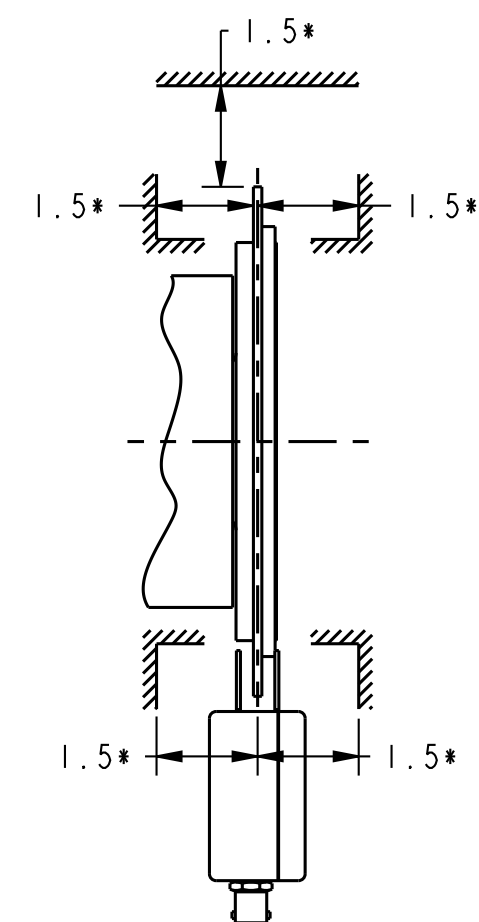
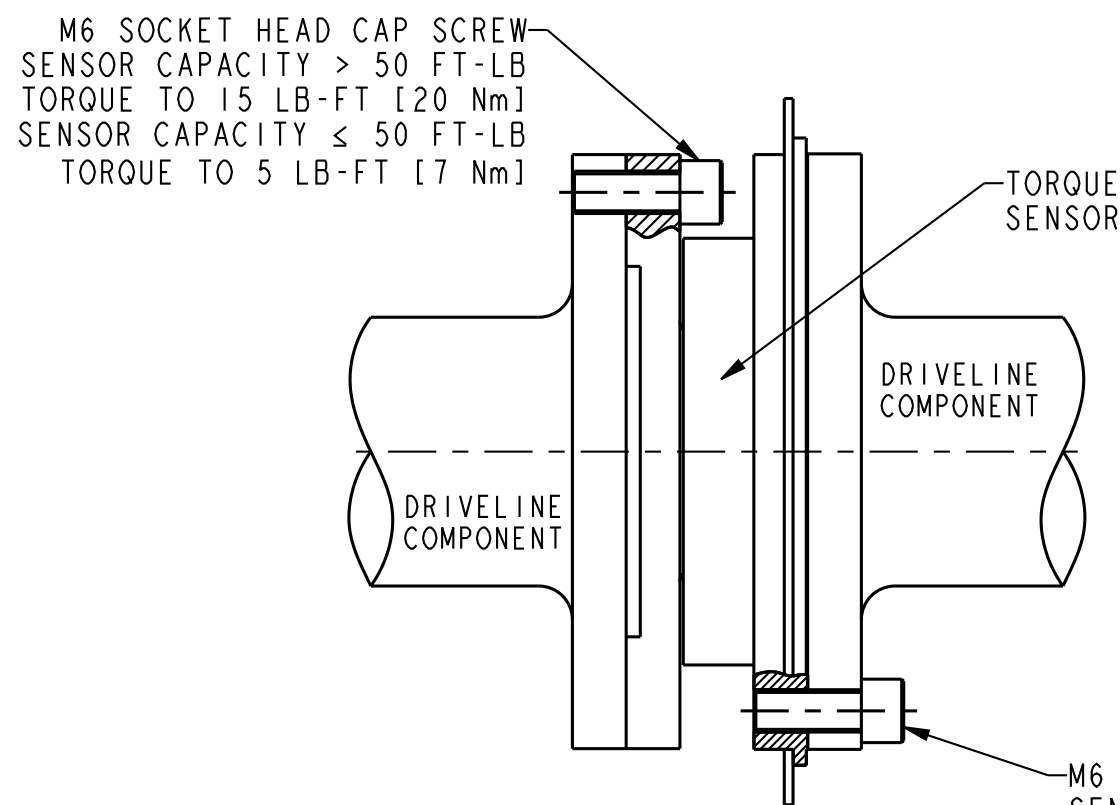
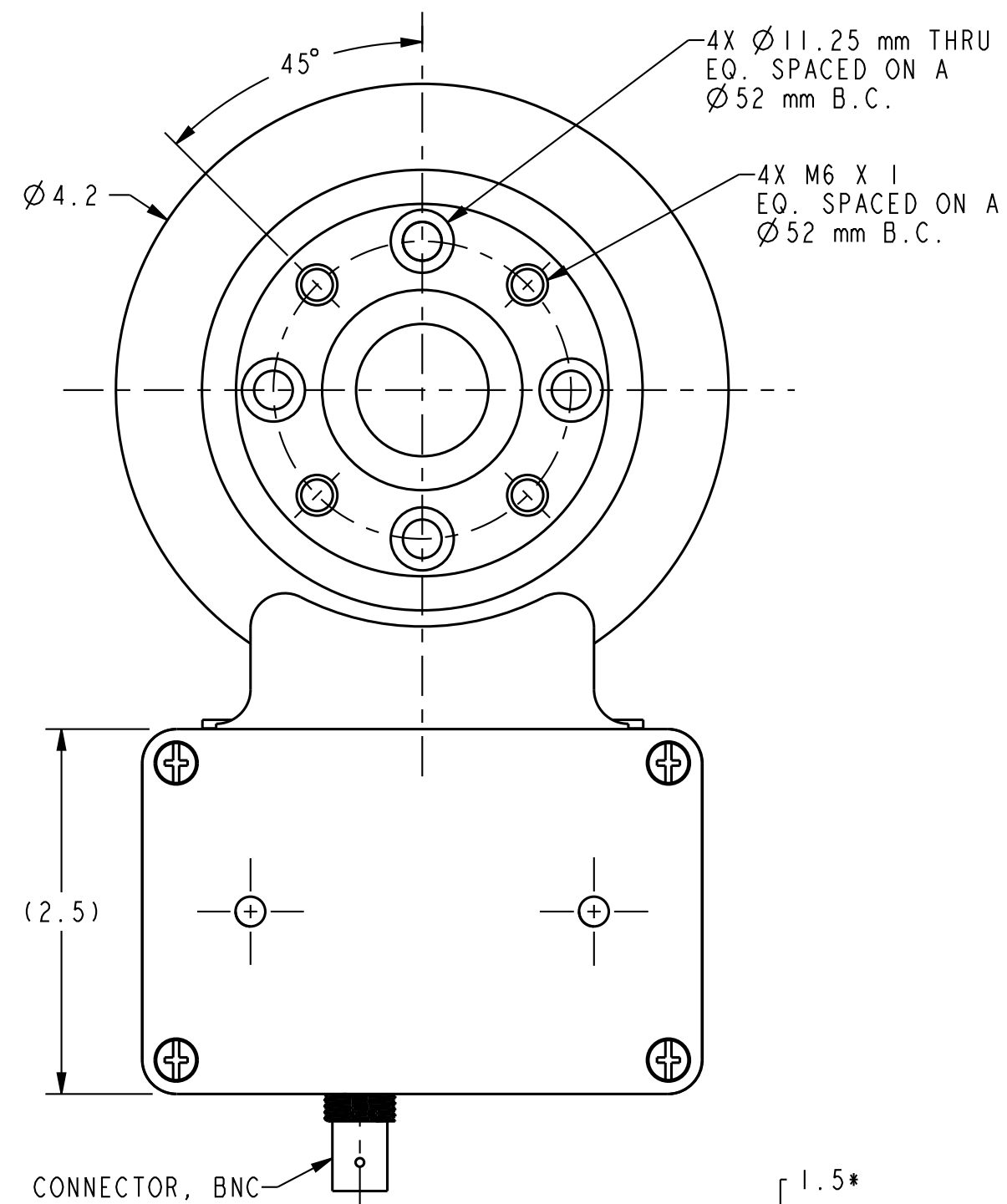
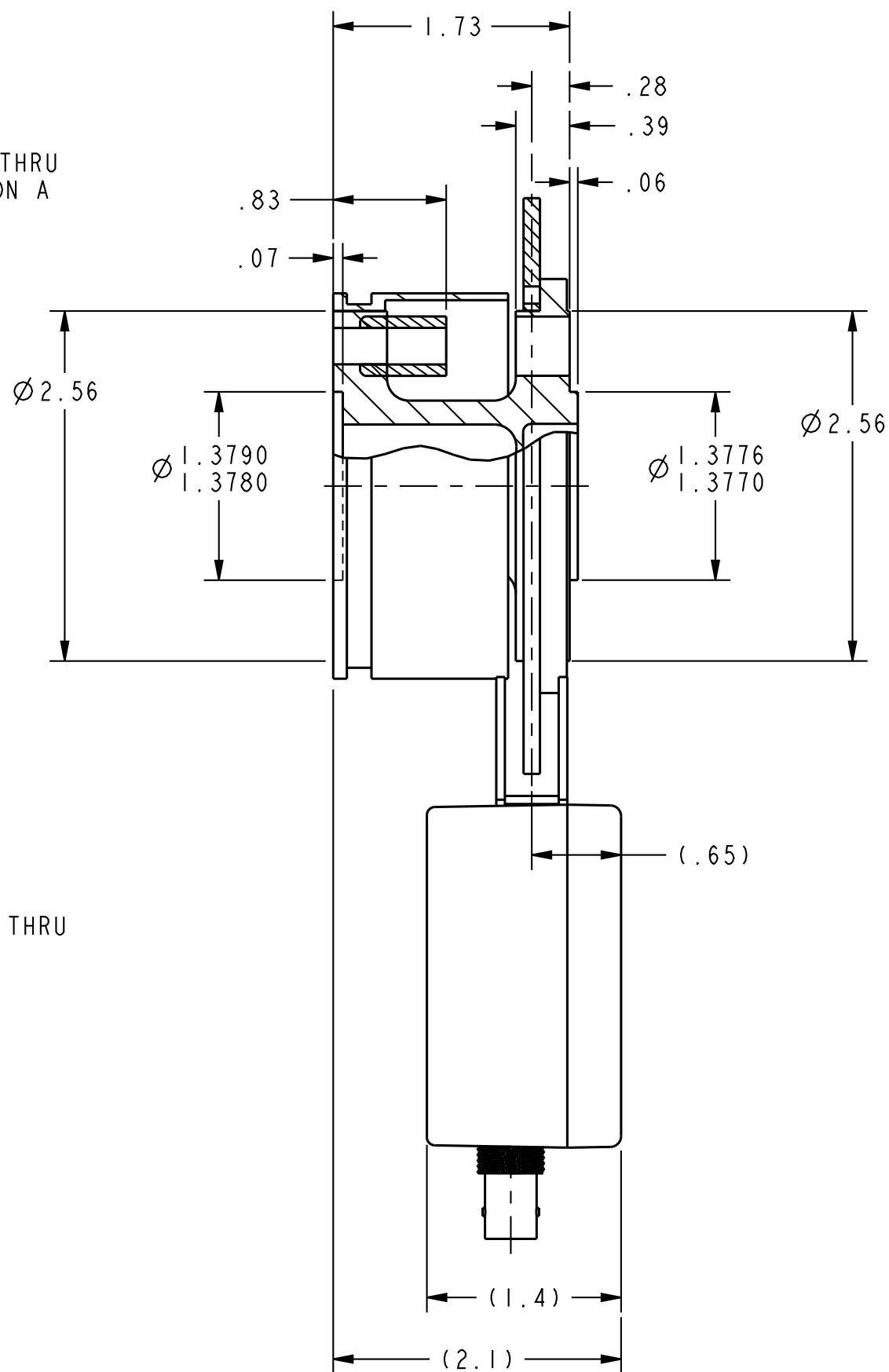
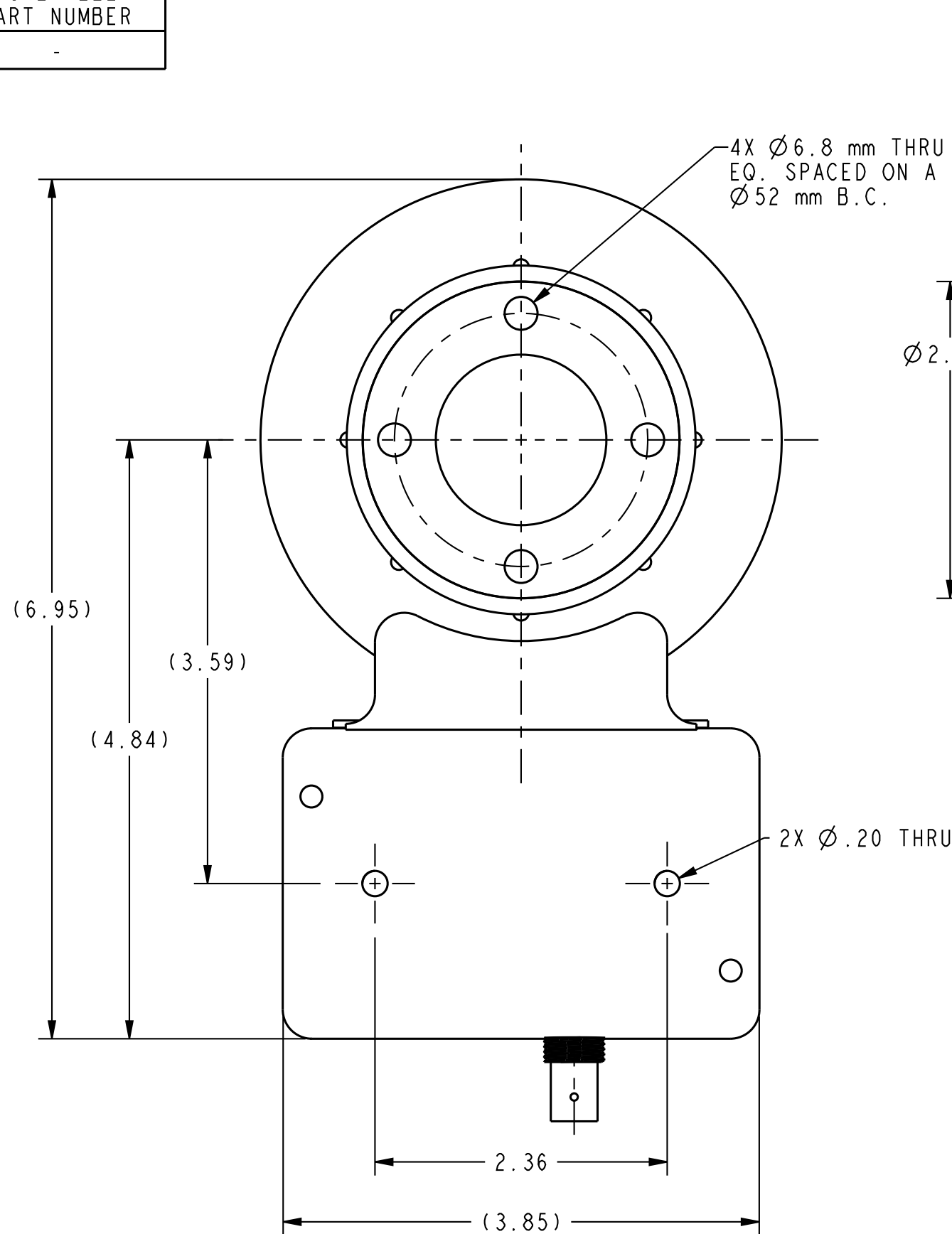


HONEYWELL PART NUMBER
-

REV	DOCUMENT	CHANGED BY	CHECK
A	0079416	MH 14MAR11	VSY



* KEEP AREA INDICATED
FREE OF METAL PARTS
SEE NOTES #4 & 5

- NOTES
- 1 - SENSOR IS NOT DYNAMICALLY BALANCED.
 - 2 - PILOT DIAMETERS IN ACCORDANCE WITH ANSI B4.1 (ANSI STANDARD FOR LIMITS & FITS)
 - 3 - USE THREAD LOCKING COMPOUND AN ALL THREADS.

DESIGN UNITS: INCH	DRAWN	DN	02DEC10
TOLERANCES UNLESS NOTED:	CHECK	VSY	02DEC10
NO PLACES .x ± .	THIS DRAWING COVERS A PROPRIETARY ITEM AND IS THE PROPERTY OF HONEYWELL. THIS DRAWING IS NOT TO BE COPIED OR USED WITHOUT THE PERMISSION OF HONEYWELL.		
ONE PLACE .XX ± .02	INTERPRET PER ASME Y14.5M-1994 OTHER HONEYWELL ENGINEERING STANDARDS MAY APPLY		
TWO PLACE .XXX ± .010	Pro/ENGINEER 3D		
THREE PLACE .xxx ± .010	SCALE 1:1		
ANGLES X ± 0.5°	SHEET 1 OF 1		
THIRD ANGLE PROJECTION			

Honeywell			
TITLE OD DRAWING, MODEL 92511			
SIZE	TYPE	CAGE CODE	DRAWING NAME
C	I	-	000-LW92511
REV	A		

REV	A		
SCALE	1:1		
SHEET	1 OF 1		