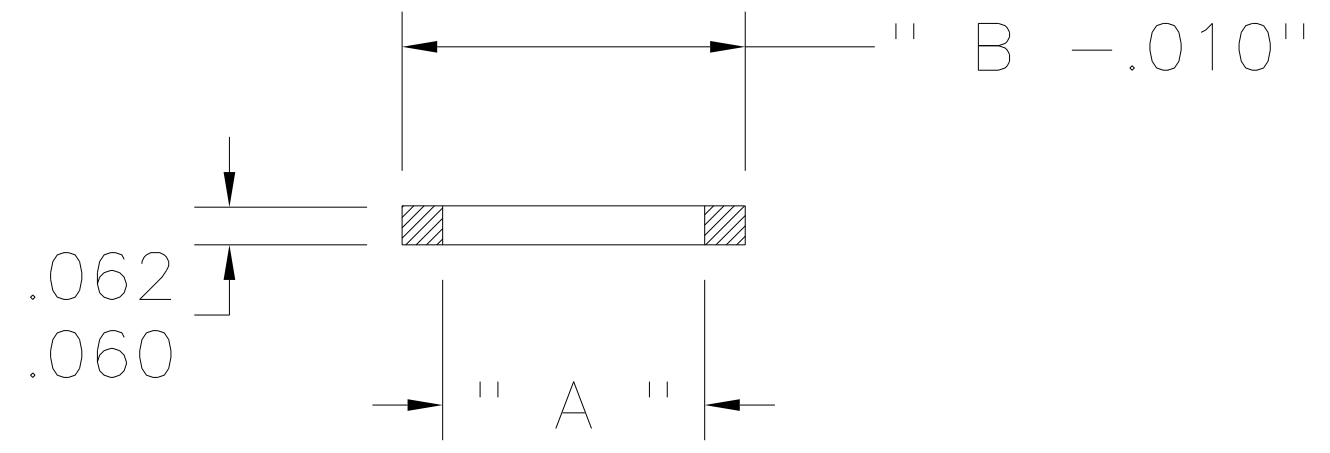
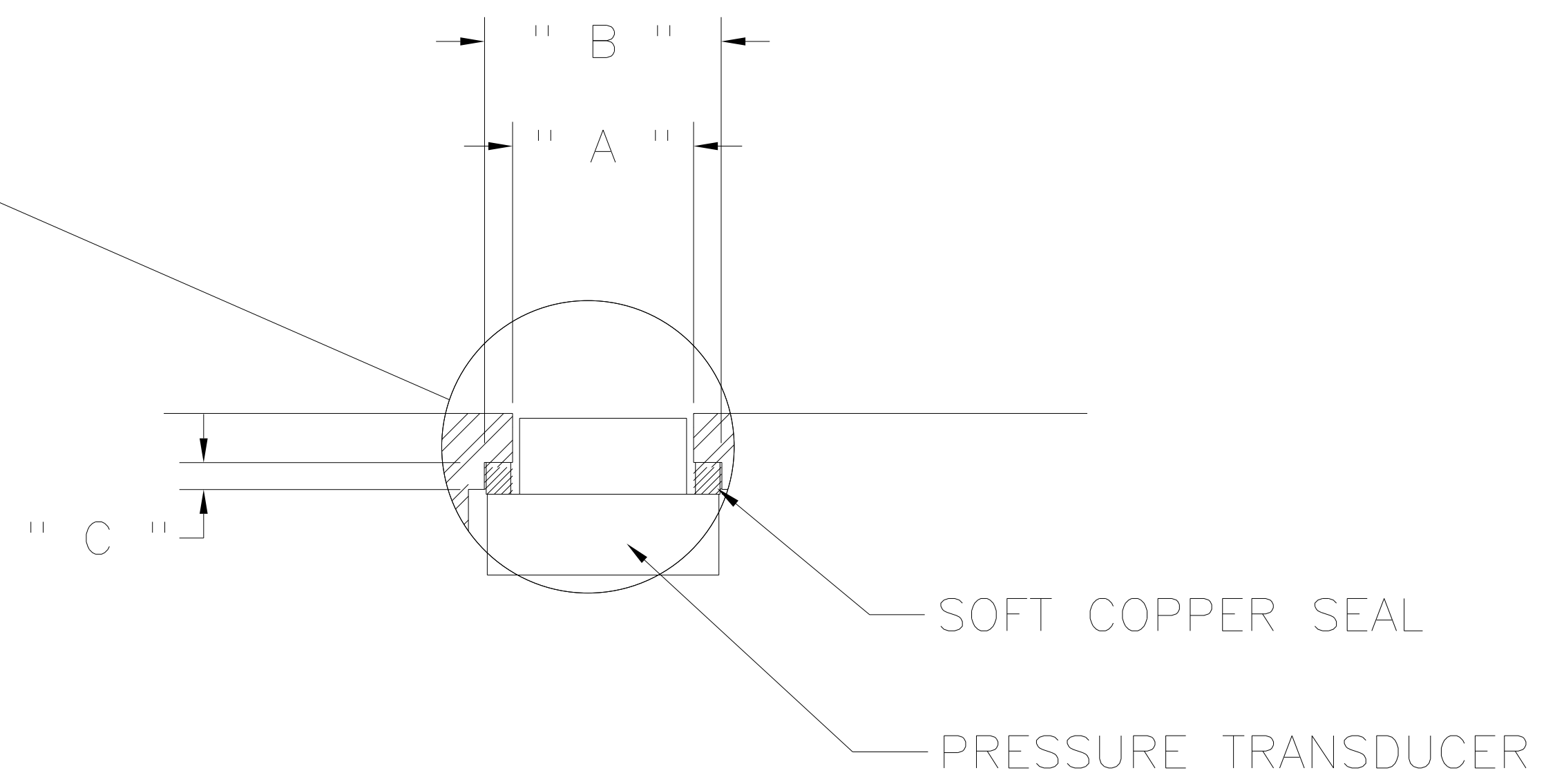
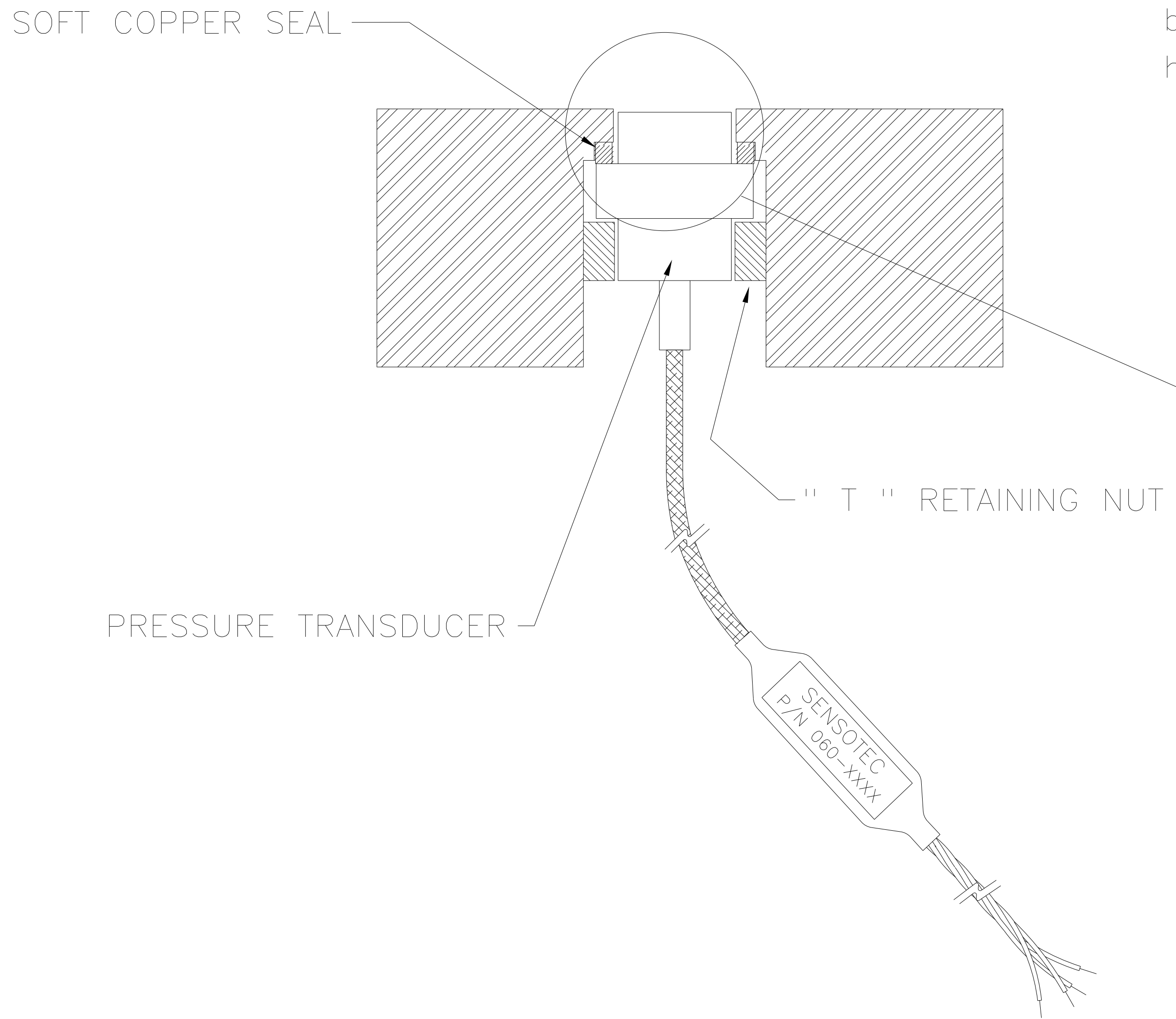


# INSTRUCTIONS FOR MOUNTING SUBMINIATURE PRESSURE TRANSDUCERS



Sensotec's standard flush mount transducers have o'ring/flush mount seal. These transducers all use an O-ring for pressure sealing. To get the best seal with the O-ring on the transducer, the tapped hole should have the dimensions as shown below.



IF THIS IS A PAPER COPY IT IS UNCONTROLLED. VERIFY REVISION BEFORE USE.

PROPRIETARY RIGHTS NOTICE: THIS DRAWING COVERS A PROPRIETARY ITEM AND IS THE PROPERTY OF HONEYWELL. THIS DRAWING IS NOT TO BE COPIED OR USED WITHOUT THE PERMISSION OF HONEYWELL.

UNLESS OTHERWISE SPECIFIED: ALL DIMENSIONS IN INCHES. INTERPRET PER ASME Y14.100-2000 OTHER HONEYWELL STDS MAY APPLY. ALL FILLETS & CORNERS .005R MAX DEBURR & BREAK SHARP CORNERS		-		INITIAL RELEASE TO PRODUCTION		-	-	-
REV	DESCRIPTION				REV BY	CHK BY	APV BY	
DRW: EPSTEIN	CHK: GAINES	MFG: -	ENG: RICHARDS					
AUTOCAD		03/25/2005	05/03/2005	xx/xx/xx	04/02/2005			

-06					
-05	.375" DIA	.386/.387	.504/.499	.052/.050	5/8-18 UNF
-04	.310" DIA	.316/.317	.441/.437	.052/.050	1/2-20 UNF
-03	.250" DIA	.257/.258	.379/.375	.052/.050	7/16-20 UNF
-02	.187" DIA	.190/.191	.316/.313	.052/.050	3/8-24 UNF
003-0036-01	.125" DIA	.128/.130	.254/.251	.052/.050	5/16-24 UNF
PART NUMBER	TRANS NOSE DIM	" A "	" B "	" C "	" T "

DO NOT SCALE	<b>Honeywell</b>	HONEYWELL SENSOTEC 2080 ARLINGATE LANE COLUMBUS, OHIO 43228 www.honeywell.com/sensing		
.X ±.2		INSTALLATION INSTRUCTIONS FOR MODEL "G" MINIATURE, SOFT COPPER SEAL		
.XX ±.02		CODE IDENT NO. <b>51518</b>	DOCUMENT NUMBER	
.XXX ±.010		SHEET 1 OF 1	SIZE A	003-0036-00