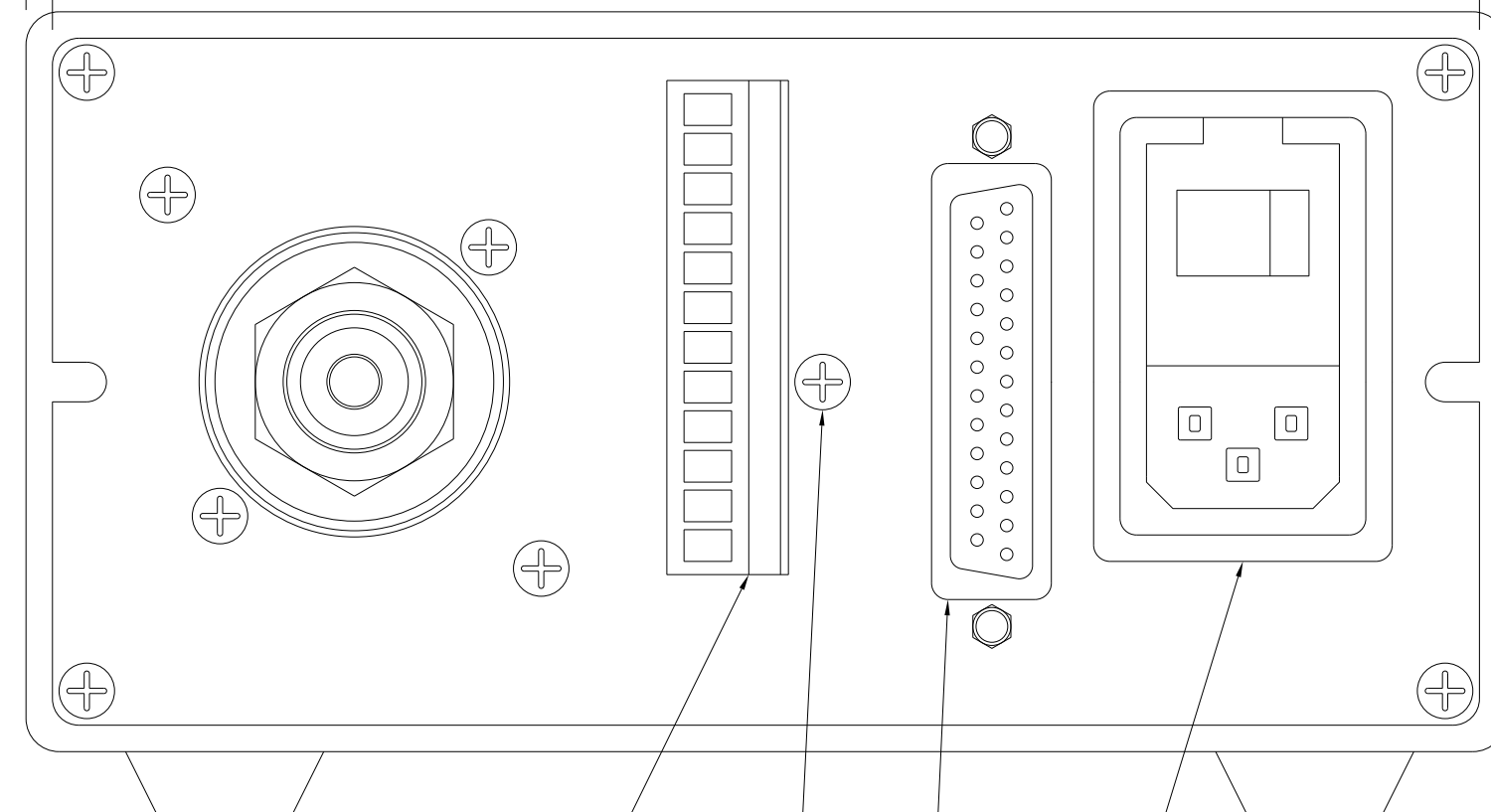
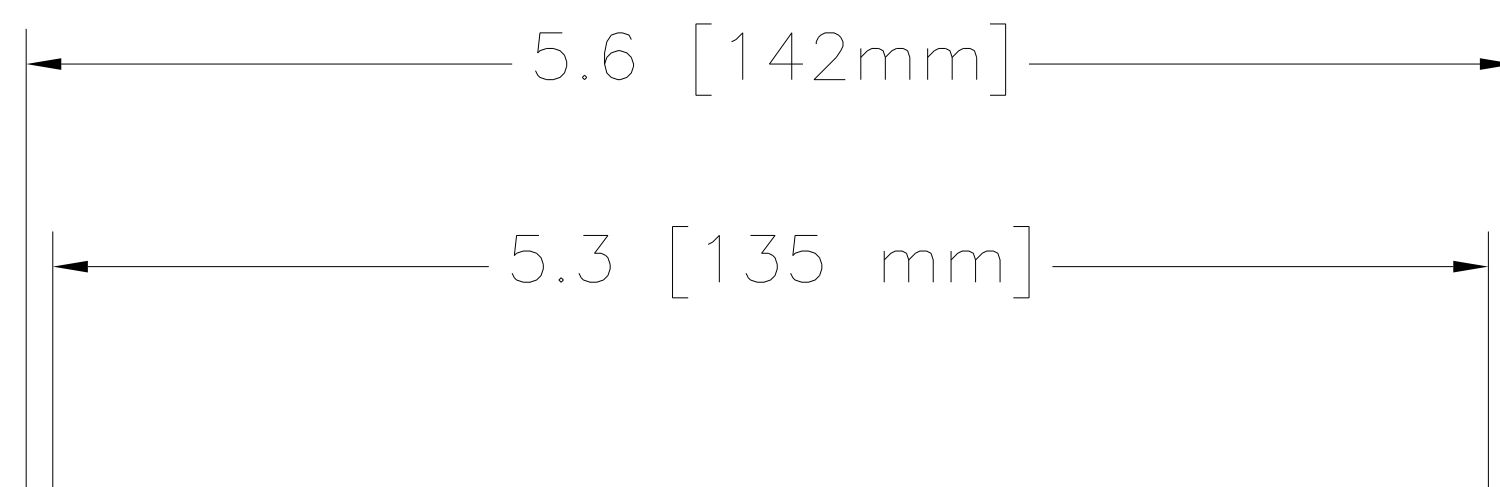
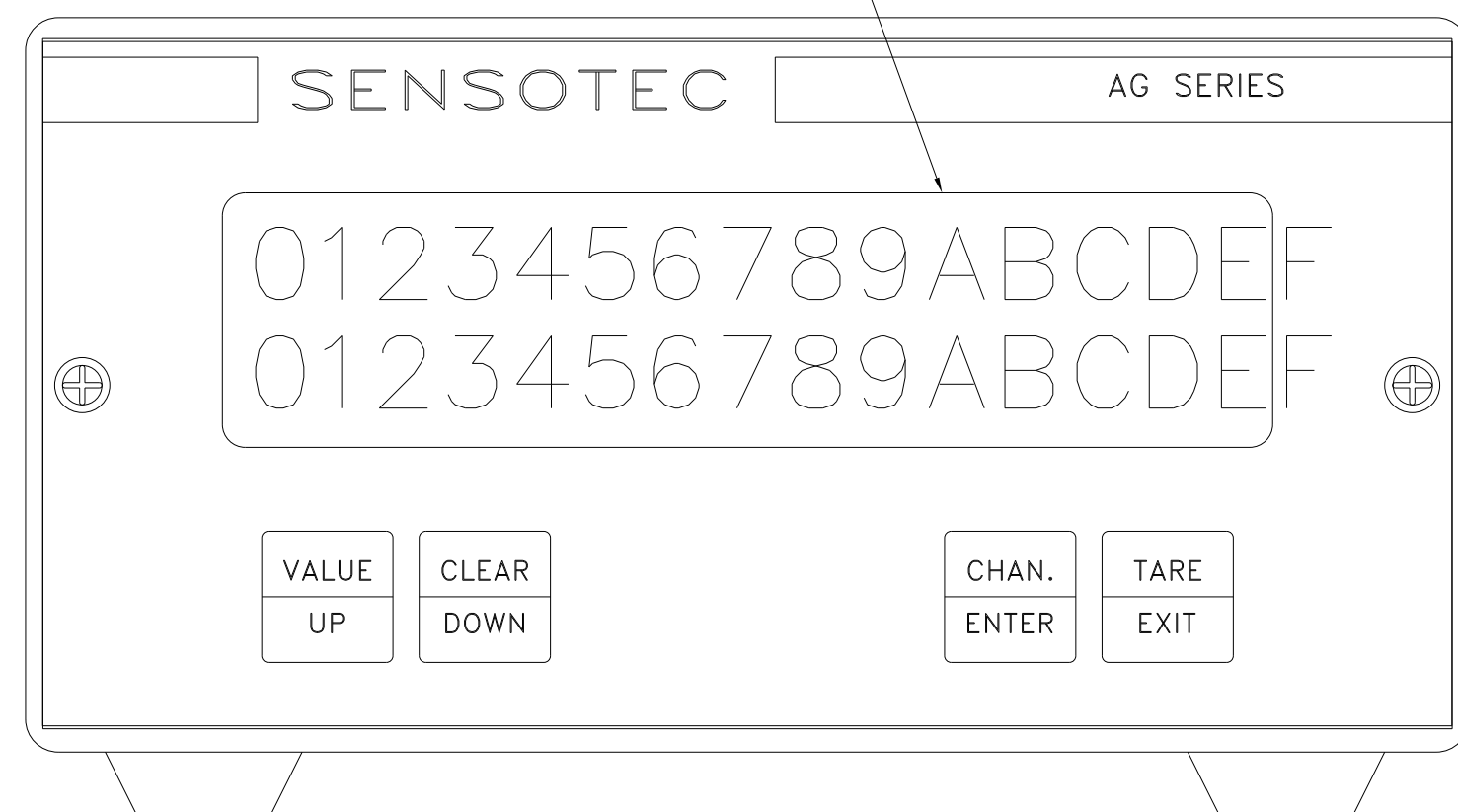


16 CHARACTER, DUAL-LINE
VACUUM FLUORESCENT DISPLAY

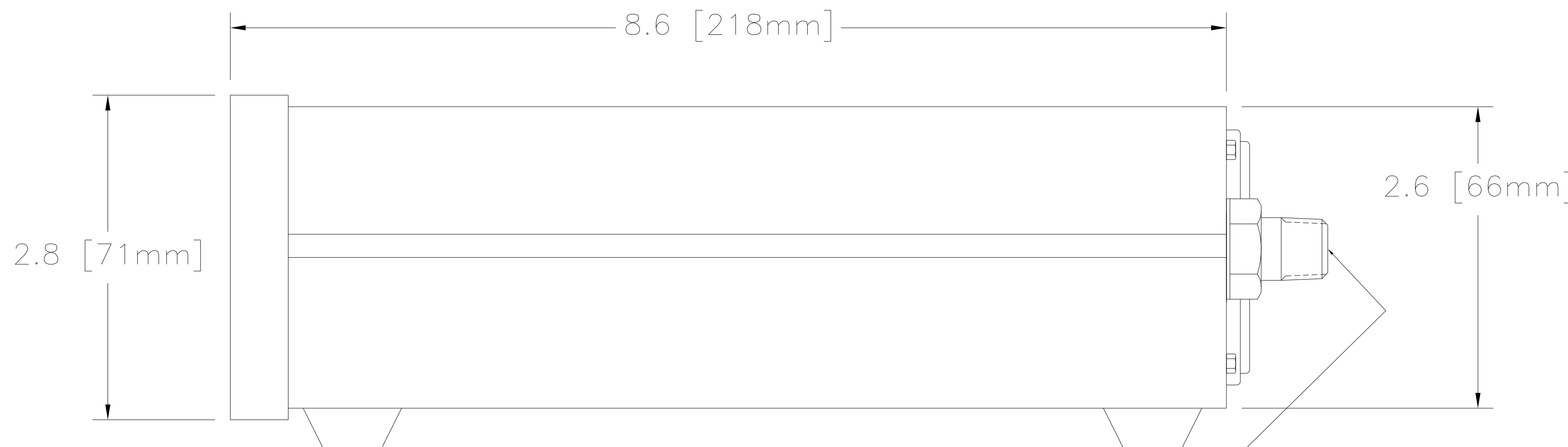


12-PIN CHANNEL
CONNECTOR

CABLE SHIELD
CONNECTION SCREW

IEC POWER ENTRY
MODULE
(AC POWER ONLY)

25-PIN SYSTEM
CONNECTOR



1/4-18 NPT MALE (< 1500 PSI) (SHOWN)
1/4-18 NPT FEMALE (1500 PSI TO 10000 PSI)
AUTOCLAVE AE F250-C (15000 PSI AND UP)

GENERAL

CHANNELS.....1
CASE MATERIAL.....ALUMINIUM, BLACK
CASE SIZE.....3/8 DIN

ACCURACY

MODEL AG400.....LINEARITY&HYSTERESIS 0.05%
MODEL AG401.....LINEARITY&HYSTERESIS 0.10%
CALIBRATION UNITS OF MEASURE.....PSI (STANDARD)
OTHER CALIBRATION UNITS OF MEASURE
AVAILABLE AT EXTRA COST

DIGITAL DISPLAY

SCALING.....0-9999999
SCALING METHOD.....AUTOMATIC
RESOLUTION.....1/50000
DISPLAY UNITS OF MEASURE (FIELD SELECTABLE)
PSI, BAR, mBAR, mmHg, inHg,
inWA (inH2O), KPa

ENVIRONMENTAL

STORAGE TEMP.....-20°F to +200°F
OPERATING TEMP.....60°F TO 105°F
TEMP. EFFECT...0.004%/°F OVER OPERATING RANGE

AMPLIFIER CHARACTERISTICS

FREQUENCY RESPONSE.....2 Hz
STEP RESPONSE.....40 ms

PHYSICAL CHARACTERISTICS

AC POWERED.....100 to 230VAC, 47 to 63Hz
OPTIONAL DC POWERED.....11 to 28 VDC, 20W
LIMITS OUTPUTS.....OPEN COLLECTOR
PRESSURE PORT.....SEE SIDE VIEW

AVAILABLE RANGES (GAGE & ABSOLUTE)

15; 25; 75; 100; 200; 300; 500; 750; 1000;
1500; 2000; 3000; 7500; 10,000; 15,000;
60,000 (MODEL AG401 ONLY) PSI

UNLESS OTHERWISE SPECIFIED:
ALL FILLETS & CORNERS .005 R MAX
ALL DIMENSIONS IN INCHES
INTERPRET PER ANSI Y14.5M-1982 &
SENSOTEC STD 080-0073-00
DEBURR & BREAK SHARP CORNERS

REV ECN	SCALE: NONE
USED ON	.X ±.1
MATERIAL SPECIFICATION	.XX ±.01 .XXX ±.005 X ±1/2'
045-	

-	INITIAL RELEASE TO PRODUCTION	-	-
REV	DESCRIPTION	REVISED BY	APPROVED BY
DRW: SR 02/19/02	CHK: RAF 02/27/02	MFG: MDF 02/26/2002	ENG: KRR 02/25/2002

SENSOTEC INC.
2080 ARLINGATE LANE, COLUMBUS, OHIO 43228
© SENSOTEC, INC. ALL RIGHTS RESERVED

ODD, MODELS AG400 & AG401,
GAGE AND ABSOLUTE

63	DOCUMENT NUMBER
SHEET 1 OF 1	000-H075-00