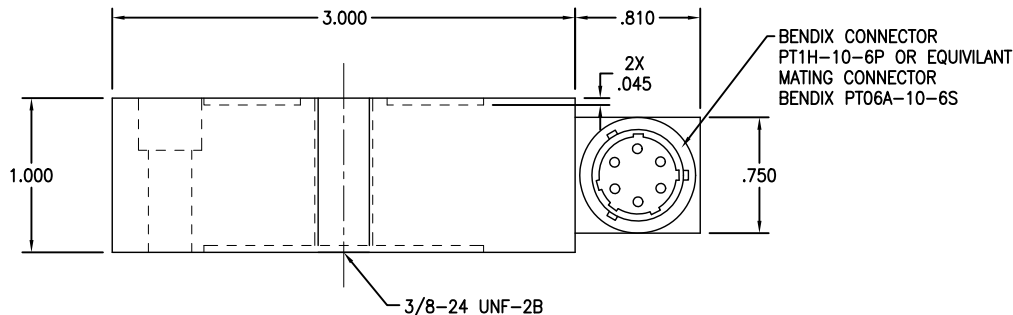
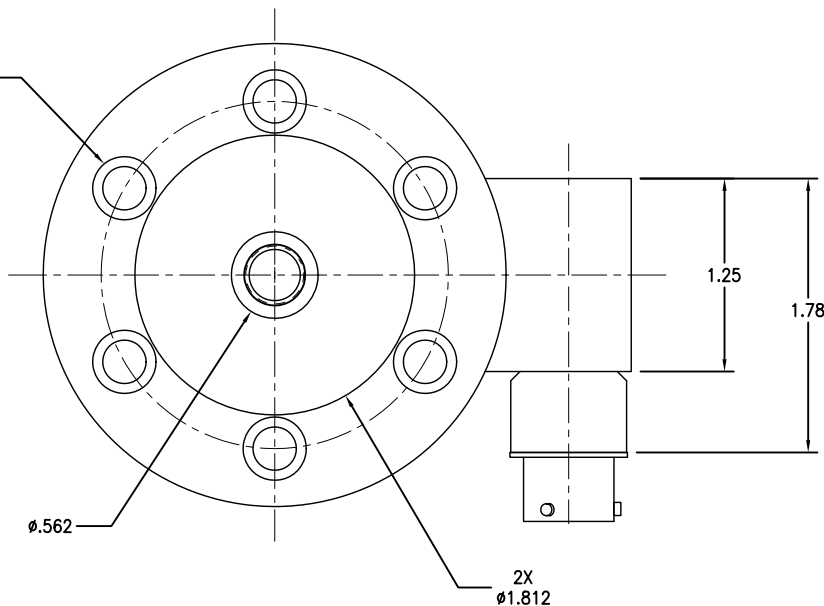


HONEYWELL PART NUMBER
-

REV	DOCUMENT	CHANGED BY	CHECK
D	0042004	JDS 09/21/2009	SDG

6X  
MOUNTING HOLES  
EQUALLY SPACED ON  
Ø2.250 B.C.  
CLEARANCE FOR Ø.25  
SOCKET HEAD SCREW



UNAMPLIFIED

PIN	DESIGNATION
A	(+) EXCITATION
B	(+) EXCITATION
C	(-) EXCITATION
D	(-) EXCITATION
E	(-) OUTPUT
F	(+) OUTPUT

DESIGN UNITS: INCH			
TOLERANCES UNLESS NOTED:			
NO PLACES	X	±	-
ONE PLACE	.X	±	.1
TWO PLACE	.XX	±	.01
THREE PLACE	.XXX	±	.005
ANGLES	X	±	.5°
THIRD ANGLE PROJECTION			

DRAWN	J SAUBER	09/21/2009
CHECK	S. GREGORY	09/21/2009
THIS DRAWING COVERS A PROPRIETARY ITEM AND IS THE PROPERTY OF HONEYWELL. THIS DRAWING IS NOT TO BE COPIED OR USED WITHOUT THE PERMISSION OF HONEYWELL.		
INTERPRET PER ASME Y14.5M-1994 OTHER HONEYWELL ENGINEERING STANDARDS MAY APPLY		
AUTOCAD		

<b>Honeywell</b>				
TITLE ODD, MODEL 41 LOAD CELL 50 LB THRU 1250 LB, STD. PROD.				
SIZE	TYPE	CAGE CODE	DRAWING NAME	REV
A	E	51518	000-0181-00	D
SCALE	-	SHEET		1 OF 1