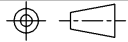
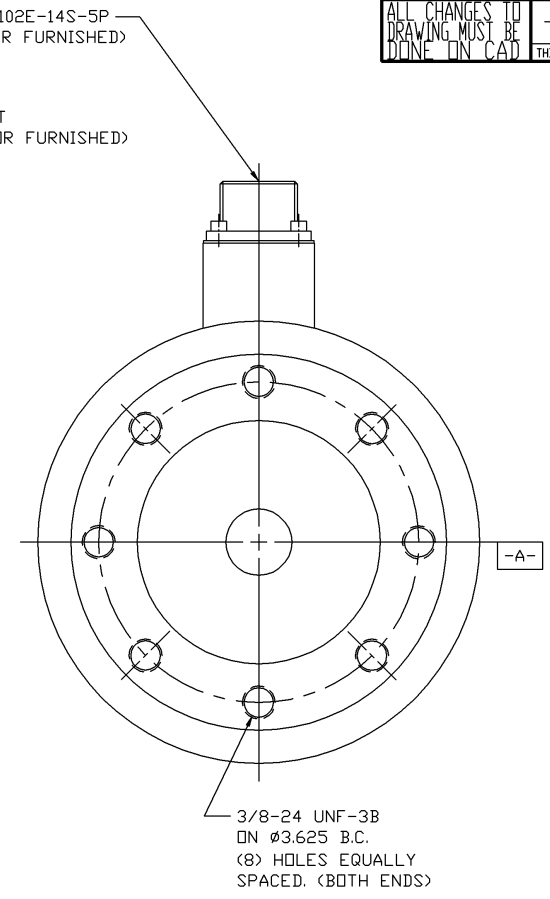
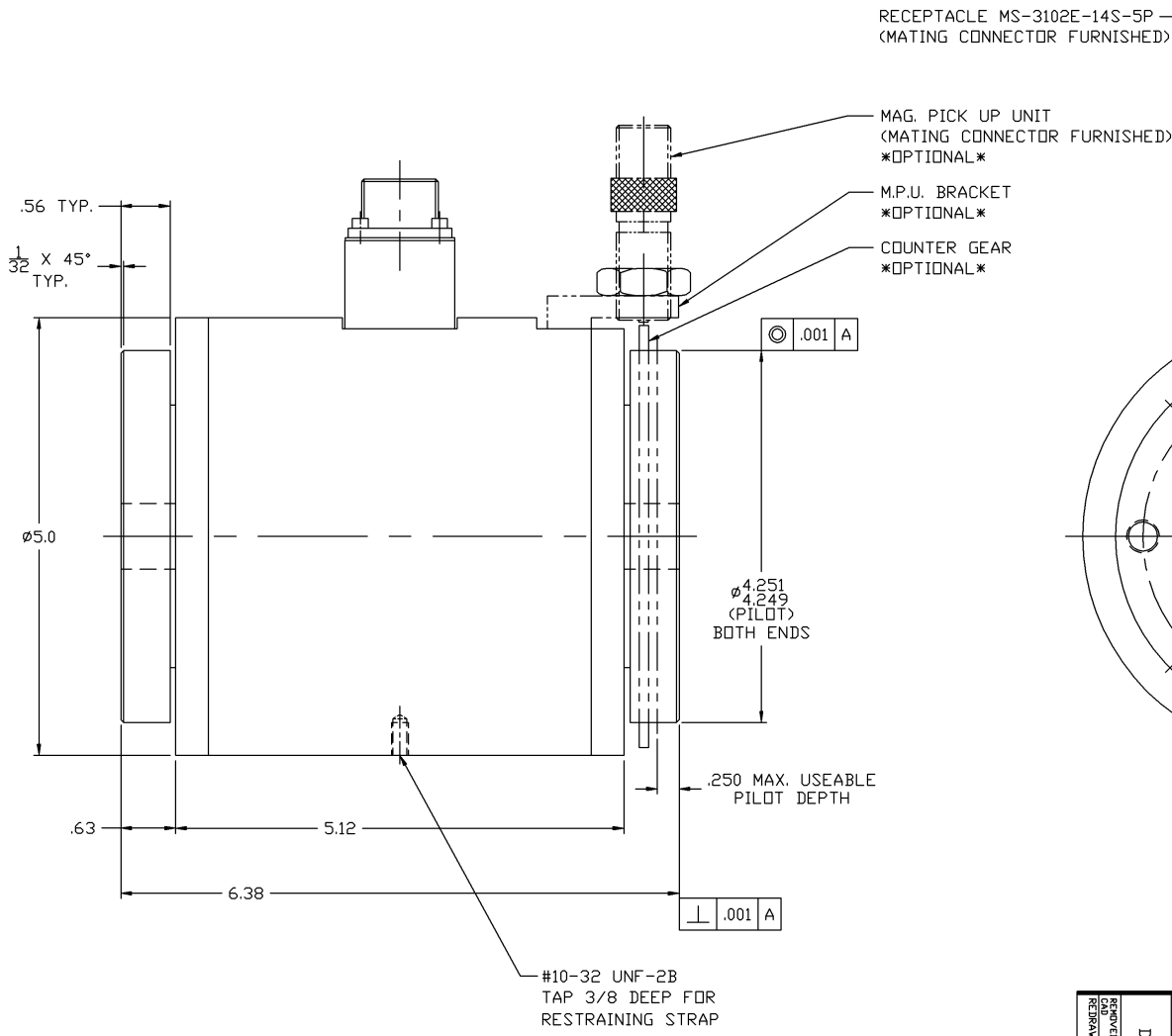


DO NOT SCALE DRAWING	B-22440	REV.
ALL CHANGES TO DRAWING MUST BE DONE ON CAD	 THIRD ANGLE PROJECTION	



"NOTICE TO PERSONS RECEIVING THIS DRAWING AND/OR TECHNICAL INFORMATION"
 Lebow Products claims proprietary rights to the material disclosed herein. This drawing and/or technical information is loaned in confidence for engineering information only and may not be reproduced or used to manufacture anything shown or referred to herein without direct written permission from Lebow Products to the user. This drawing and/or technical information is the property of Lebow Products and is loaned for mutual assistance, to be returned when its purpose has been served.

REV. NO.		PART NO.		DESCRIPTION		REV'D.
				Lebow Products		Lebow Products Troy, Michigan
UNLESS OTHERWISE SPECIFIED						
LINEAR DIMENSIONS ARE IN INCHES				REMOVE ALL BURRS & SHARP EDGES		
ANGULAR DIMENSIONS ARE IN DEGREES				SURFACE FINISH 125 ✓		
DIMENSION LIMITS HELD AFTER PLATING						
TOLERANCES				DR. BY	CHK'D BY	ENGR.
DRILLED HOLES	TWO PLACE DECIMALS	THREE PLACE DECIMALS	ANGLES	DATE	DATE	DATE
±.000 +.007	±.001	±.005	± 0 30'	9/19/88	-	-
SCALE:	REF. DWG.	FRACTIONAL DIMENSIONS	MAT'L.	HEBL		
NONE	C-22439	± 1/64	-	1648		
TITLE:				DRAWING NO.	REV.	
O.D. DRAWING				B-22440		

REVISIONS	DESCRIPTION	DATE
	REMOVED SPECIFICATIONS, REBURN ON CAD	
	REBURN ON CAD	
	REBURN ON CAD	
	REBURN ON CAD	
APPR'D.	DATE	
KB		
CF	JKW	CHG'D.
P	N	SYM.