

1080HD Left Hand Control Customization Options

1000+ heavy-duty combinations

- 1 Headlight Switch/Slider Switch**
 - Four-position: off, side marker lights, low beam, high beam (pictured)
 - Three-position: off, low beam, high beam
 - Three-position: side marker lights, low beam, high beam
 - Two-position: low beam, high beam
 - Custom circuits also available
 - Customizable button color and/or icon options

- 2 Forward Facing Momentary Switch**
 - Optional function
 - Circuit can be isolated if the headlight switch is a two-position switch
 - Customizable button color

- 3 Two-Position Rocker Switch**
 - Optional function
 - Customizable button color and/or icon options

- 4 Right Momentary Push Switch**
 - Optional function
 - Customizable button color and/or icon options

- 5 Left Momentary Push Switch**
 - Customizable button color and/or icon options

- 6 Front Facing Slider Switch**
 - Standard 3-position switch
 - Optional two-position switch
 - Customizable button color and/or icon options

- 7 Pull On – Push Off Switch**
 - Optional function
 - Tall/Short button
 - Customizable button color and/or icon options

- 8 Wire Harness**
 - Custom lengths available
 - 20 to 16 gage wire options
 - Wire color options available
 - Connector type fully customizable

- 9 Accessory Mounting Features**
 - Located on bottom of control
 - Allows for optional accessory modules
 - Air-flow choke
 - Custom auxiliary function control

- 10 Electrical Circuit Customizations**
 - Customer-specific circuitry



1080HD Left Hand Control Standard Circuit Configuration

1000+ heavy-duty combinations

Standard Functions

Headlight Switch

- Off - Side Marker Lights - Low Beam - High Beam

Forward Facing Momentary Switch

- Standard Configuration: Flash-to-Pass (circuit tied to light switch high beam)

2-Position Rocker Switch

- Standard Configuration: Engine Run/Stop

Right Momentary Push Switch

- Standard Configuration: Start

Left Momentary Push Switch

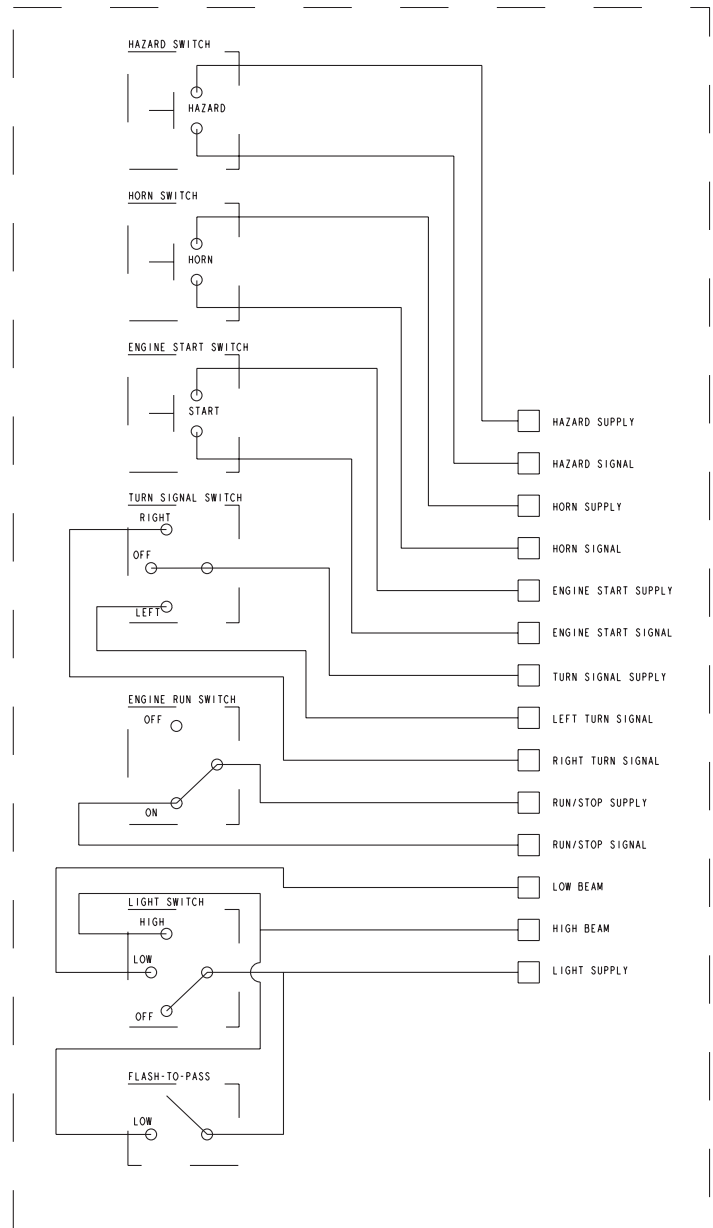
- Standard Configuration: Horn, Mode, Start, or Override

Front Facing Slider Switch

- Standard Configuration: Turn Signal or Engine Run/Stop

Pull On – Push Off Switch

- Hazard Lights



7-FUNCTION, 3-POSITION

Find out more

For more information about sensing and control products, visit

www.honeywell.com/sensing or call

+1-815-235-6847. Email inquiries to

info.sc@honeywell.com

Honeywell Sensing and Control

1985 Douglas Drive North

Golden Valley, MN 55422

www.honeywell.com

Honeywell

006175-1-EN IL50 GLO

May 2009

Copyright © 2009 Honeywell International Inc. All rights reserved.